

# **BOARD OF SUPERVISORS**

# **MADISON COUNTY, MISSISSIPPI**

Department of Engineering  
Tim Bryan, P.E., County Engineer

3137 South Liberty Street, Canton, MS 39046  
Office (601) 790-2525 FAX (601) 859-3430

## MEMORANDUM

June 21, 2023

To: Sheila Jones, Supervisor, District I  
Trey Baxter, Supervisor, District II  
Gerald Steen, Supervisor, District III  
Karl Banks, Supervisor, District IV  
Paul Griffin, Supervisor, District V

From: Tim Bryan, P.E., PTOE  
County Engineer

Re: Comcast Cable Utility Permit  
County Road Name, Miggins Rd, Robinson Rd, McNamara Rd, and Rising Chapel Rd.

The Engineering Department recommends approval of the permit application for Comcast Cable is attaching 48 CT and 24 CT fiber to existing poles, boring and installing 2" HDPE to pull 48 CT and 24 CT fiber within the right-of-way owned by the County including the listed roads below.

- Miggins Road
- Robinson Road
- McNamara Road
- Rising Chapel Road

---

SHEILA JONES  
District One

TREY BAXTER  
District Two

GERALD STEEN  
District Three

KARL BANKS  
District Four

PAUL GRIFFIN  
District Five

Revised: 2/14/2019



**PERMIT APPLICATION FOR THE CONSTRUCTION OR ADJUSTMENT OF A UTILITY WITHIN COUNTY ROAD RIGHT-OF-WAY**

Utility Information: Utility Name: COMCAST CABLE

Address: 3425 Malone Drive City/State/Zip: Chamblee/ GA/ 30-341

Contact Person: Linda Taibl Contact's Phone: \_\_\_\_\_

Project Information: County Road Name: \_\_\_\_\_

(If located within more than one road right-of-way, use Appendix 1 for additional descriptions)

Beginning Location: 32.658839, -89.841488 Ending Location: 32.614834, -89.834893

Length of Project: 22 109 FT Section: 34 Township: 3 Range: 69

Description of Work: COMCAST IS ATTACHING 48CT AND 24 CT FIBER TO EXISTING POLES, BORING AND INSTALLING 2" HDPE TO PULL 48CT AND 24CT FIBER WITHIN THE RIGHT-OF-WAY OWNED BY THE COUNTY.

**TOTAL INSTALLATION LENGTH IN ROW: 22 109 FT**

Check Box if Appendix 1 is to be included as a part of this Application

Whereas the above stated Utility makes application to the **Madison County Board of Supervisors** for a Construction Permit. Attached hereto are drawings and plans for the construction of the above facilities located within Madison County owned public rights-of-way. Once stamped by the Madison County Engineering Department, these plans shall not be changed or altered without written approval of the County Engineer, or his representative. A copy of the approved permit and plans shall be on-site at all times during construction.

The Applicant Utility shall comply with all policies, procedures and construction practices as outlined in *A Policy for The Accommodation of Utility Facilities within the Right-of-Way of all Public County Roads* (hereinafter referred to as the "Policy"), as adopted on November 1, 2005, by the **Madison County Board of Supervisors**, and which is hereby made a part of this Application Agreement.

If facilities are to be located within the Rights-of-Way of the County-Federal or State Aid System, Applicant Utility also agrees to comply with applicable provisions of *S.O.P. No. SA II-2-8, Accommodation of Utilities on Rights-of-Way*, issued by the State Aid Engineer and dated July 1, 2005.

The Applicant Utility understands and agrees that, except as herein granted, no right, title, claim, or easement to said road right-of-way is granted by the issuance of this permit. If this Utility is listed in the general provisions of the Policy, it will be adjusted to comply with same without cost to the County, unless the variance from the Policy has been approved by the granting of the Permit pursuant to this Application.

The Applicant Utility further understands that the Utility's engineering, plant, or other personnel will be responsible for the staking and construction supervision of the work set out above and as shown on the attached plans. If work impacts traffic in any way, the appropriate traffic control shall be installed per the *Manual of Uniform Traffic Control Devices*, Latest Edition.

The Applicant Utility understands that the County Engineer, or his representative, may issue a Stop Work Order at any time if it is deemed that site conditions are not suitable for construction or if any of the requirements of this permit are not being met.

Many County Roads have variable Rights-of-Way and/or no Right-of-Way at all and are maintained under a Prescriptive Easement. It is the sole responsibility of the Applicant Utility to verify the existence and limits of public rights-of-way. If none exists, it is the



responsibility of the Applicant Utility to acquire an easement for their Facilities from the applicable property owner(s). Madison County in no way verifies the limits of Right-of-Way as shown on the permit application.

The Applicant Utility shall be responsible for all future maintenance and repair of the facilities installed under this permit. The Applicant Utility shall make future adjustments to, or relocate, the facilities located within road or highway right-of-way when required for road or highway widening or other road or highway construction at no cost to Madison County. The Applicant Utility shall relocate said utilities within sixty (60) days of notification by County by registered mail, return receipt requested, unless otherwise designated by the County Engineer. Further, any maintenance, repair, or construction shall be done in such a manner as to occasion no unreasonable interference with the normal flow and safety to traffic and at the expense of the utility company. When reasonable care has been taken to locate said utility facilities within the right-of-way, the Applicant Utility understands that any damages caused by routine maintenance and construction by County forces shall be borne by the Applicant Utility.

The Applicant Utility further agrees to indemnify and hold Madison County harmless for any and all claims, accidents, damages, liabilities and expenses occasioned wholly, or in part, by any act or omission of applicant, its agents or employees. In case County shall, without fault on its own part, be made a party to any litigation commenced by or against applicant, then applicant shall protect and hold County harmless, and shall pay all costs, expenses and reasonable attorney's fees incurred or paid by County in connection with said litigation.

All underground facilities shall be installed at a depth equal to or greater than 48" below the lowest adjacent grade.

All pipes carrying liquid shall be encased under County maintained roads.

WITNESS the signature of the Applicant this the 19 day of 06, 2023.

By: Linda Taibl  
(Applicant Signature)

Title: Construction specialist

**Note:** Applicant must be an employee of the Utility named in this application. The Madison County Board of Supervisors will not recognize a Contractor, Subcontractor, Agent, or Consulting Engineer as the Applicant. Utility Company shall be fully responsible for all work performed under this application.

I, or my authorized representative, have reviewed this application and determined that the drawing, sketches, and plans submitted by the Applicant meet the requirements of A Policy for The Accommodation of Utility Facilities within the Right-of-Way of all Public County Roads.

**APPROVED**

By: **By timothy.bryan at 12:37 pm, Jun 27, 2023**

Tim Bryan, P.E. **BJ**  
County Engineer

AGREED TO AND APPROVED BY:

\_\_\_\_\_  
Madison County Board President

Date: \_\_\_\_\_

ENTERED INTO THE MINUTES OF THE BOARD OF SUPERVISORS OF MADISON COUNTY, MISSISSIPPI ON THIS

\_\_\_\_\_ DAY OF \_\_\_\_\_, 20\_\_\_\_\_.

Appendix 1

County Road Name: MIGGINS RD  
Beginning Location: 32.658839, -89.841488 Ending Location: 32.614834, -89.834893  
Length of Project: 9 433 FT Section: 34 Township: 3 Range: 69  
Description of Work: ATTACH 48CT AND 24 CT FIBER TO EXISTING POLES, BORE AND  
INSTALL 2" HDPE TO PULL 48CT AND 24CT FIBER WITHIN THE MIGGINS RD RIGHT-OF-WAY

County Road Name: ROBINSON RD  
Beginning Location: 32.629881, -89.841461 Ending Location: 32.640471, -89.818663  
Length of Project: 9 013 FT Section: 34 Township: 3 Range: 69  
Description of Work: ATTACH 48CT AND 24 CT FIBER TO EXISTING POLES, BORE AND  
INSTALL 2" HDPE TO PULL 24CT FIBER WITHIN THE ROBINSON RD RIGHT-OF-WAY


County Road Name: MCNAMARA RD  
Beginning Location: 32.640471, -89.818663 Ending Location: 32.639787, -89.815557  
Length of Project: 1 104 FT Section: 34 Township: 3 Range: 69  
Description of Work: BORE AND INSTALL 2" HDPE TO PULL 24CT FIBER WITHIN THE MCNAMARA RD RIGHT-OF-WAY

County Road Name: RISING CHAPEL RD  
Beginning Location: 32.625503, -89.838242 Ending Location: 32.629751, -89.833223  
Length of Project: 2 559 FT Section: 34 Township: 3 Range: 69  
Description of Work: BORE AND INSTALL 2" HDPE TO PULL 48CT AND 24CT FIBER WITHIN THE RISING CHAPEL RD RIGHT-OF-WAY

County Road Name: \_\_\_\_\_  
Beginning Location: \_\_\_\_\_ Ending Location: \_\_\_\_\_  
Length of Project: \_\_\_\_\_ Section: \_\_\_\_\_ Township: \_\_\_\_\_ Range: \_\_\_\_\_  
Description of Work: \_\_\_\_\_

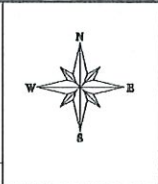





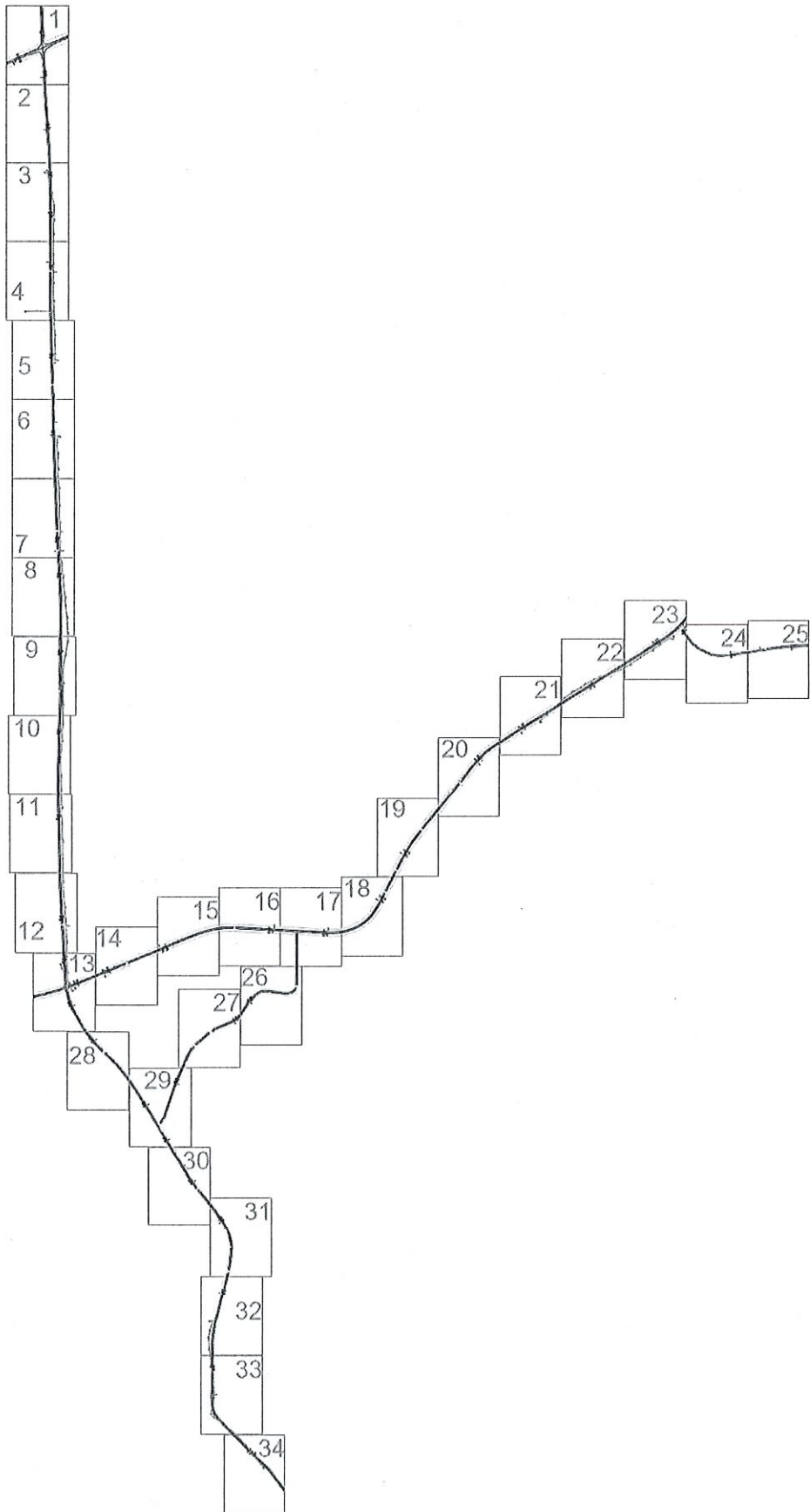
PREPARED BY:  
 QUASAR, INC.

COMCAST IS ATTACHING FIBER TO EXISTING POLES,  
 BORING AND INSTALLING NEW CONDUIT WITHIN THE RIGHT-OF-WAY  
 OWNED BY THE COUNTY  
 TOTAL: 22 109ft

NO SCALE



ENGINEERED FOR:  
  
 COMCAST



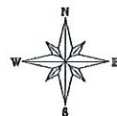
PREPARED BY:

COMCAST IS ATTACHING FIBER TO EXISTING POLES,  
BORING AND INSTALLING NEW CONDUIT WITHIN THE RIGHT-OF-WAY  
OWNED BY THE COUNTY  
TOTAL: 22 109ft

ENGINEERED FOR:



QUASAR, INC.



NO SCALE



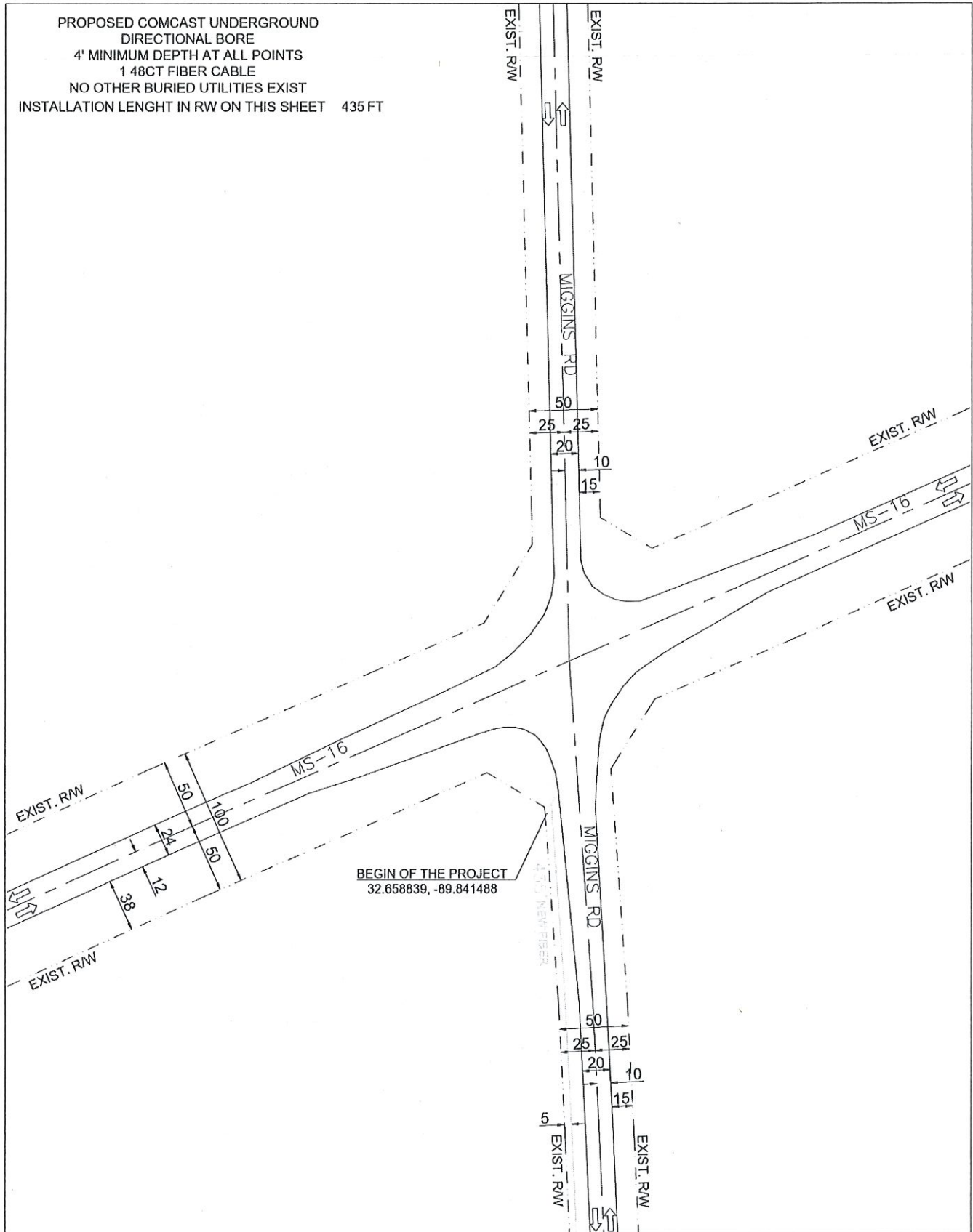


NO MATCH SHEET

PROPOSED COMCAST UNDERGROUND  
 DIRECTIONAL BORE  
 4' MINIMUM DEPTH AT ALL POINTS  
 1 48CT FIBER CABLE  
 NO OTHER BURIED UTILITIES EXIST  
 INSTALLATION LENGHT IN RW ON THIS SHEET 435 FT

NO MATCH SHEET

NO MATCH SHEET



MATCH SHEET 2

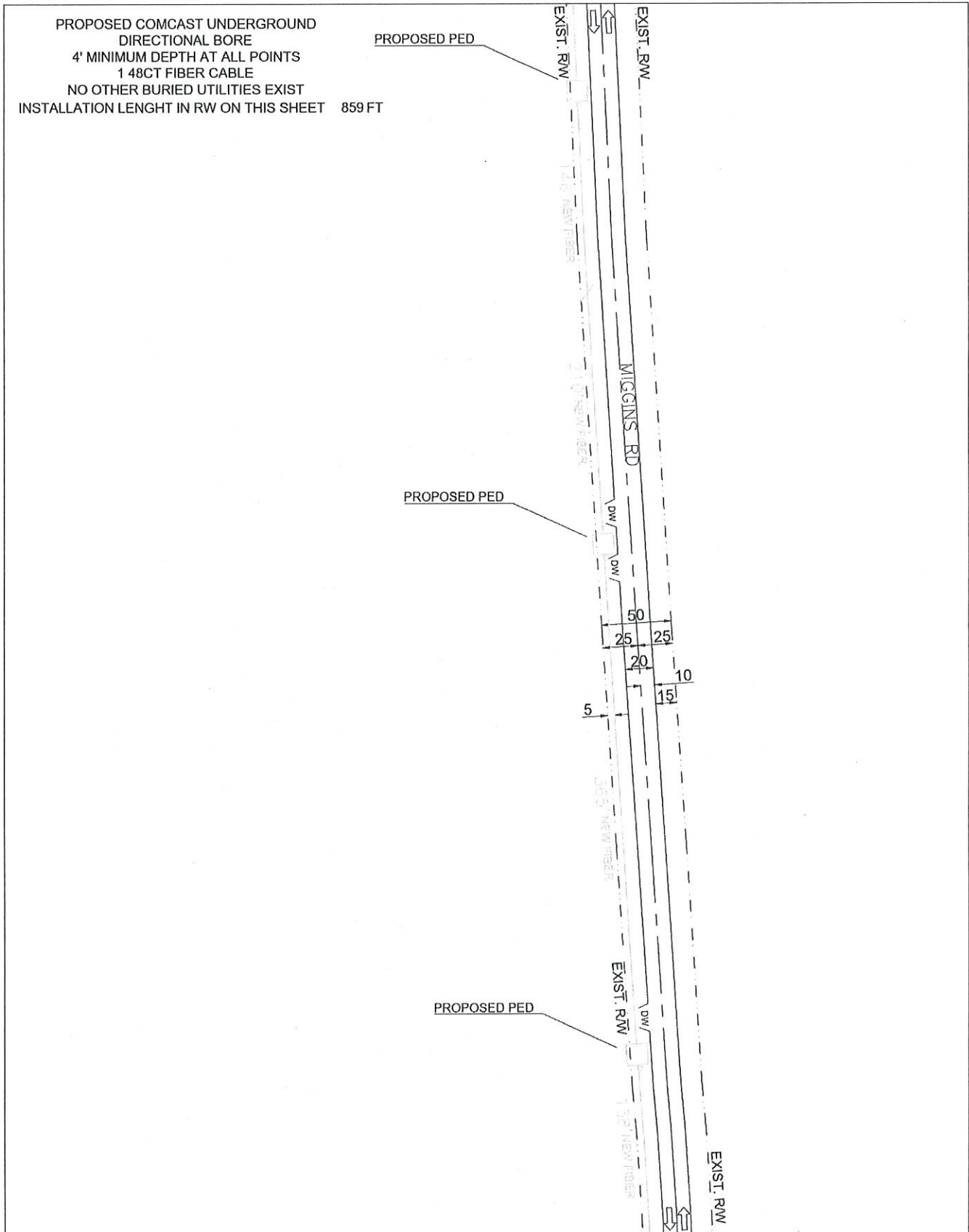
PREPARED BY:  	EXISTING POLE PROPOSED PEDESTAL PROPOSED VAULT WATER VALVE FIBER MARKER GAS MARKER MANHOLE SEWER MANHOLE STORM DRAIN	RIGHT OF WAY LINE IRRIGATION LINE WATER LANE GAS LANE PROPOSED ANCHOR PROPOSED RISER	PROPOSED COAXIAL CABLE PROPOSED FIBER CABLE PROPOSED DIRECTIONAL BORE EXISTING CABLE		ENGINEERED FOR:  	MADISON COUNTY  MIGGINS RD, MS-16  TRANSPORT FIBER
	LEGEND: RW - RIGHT OF WAY EOP - EDGE OF PAVEMENT DW - DRIVEWAY PDW - PAVED DRIVEWAY	NOTES: BORE HOLE TO BE FILLED SAME DAY VAULT HOLE TO BE FILLED SAME DAY ALL HOLE TO BE TAMPED AND SODDED	NO SCALE SHEET 1 OF 34			

# MATCH SHEET 1

PROPOSED COMCAST UNDERGROUND  
 DIRECTIONAL BORE  
 4' MINIMUM DEPTH AT ALL POINTS  
 1 48CT FIBER CABLE  
 NO OTHER BURIED UTILITIES EXIST  
 INSTALLATION LENGTH IN RW ON THIS SHEET 859 FT

NO MATCH SHEET

NO MATCH SHEET



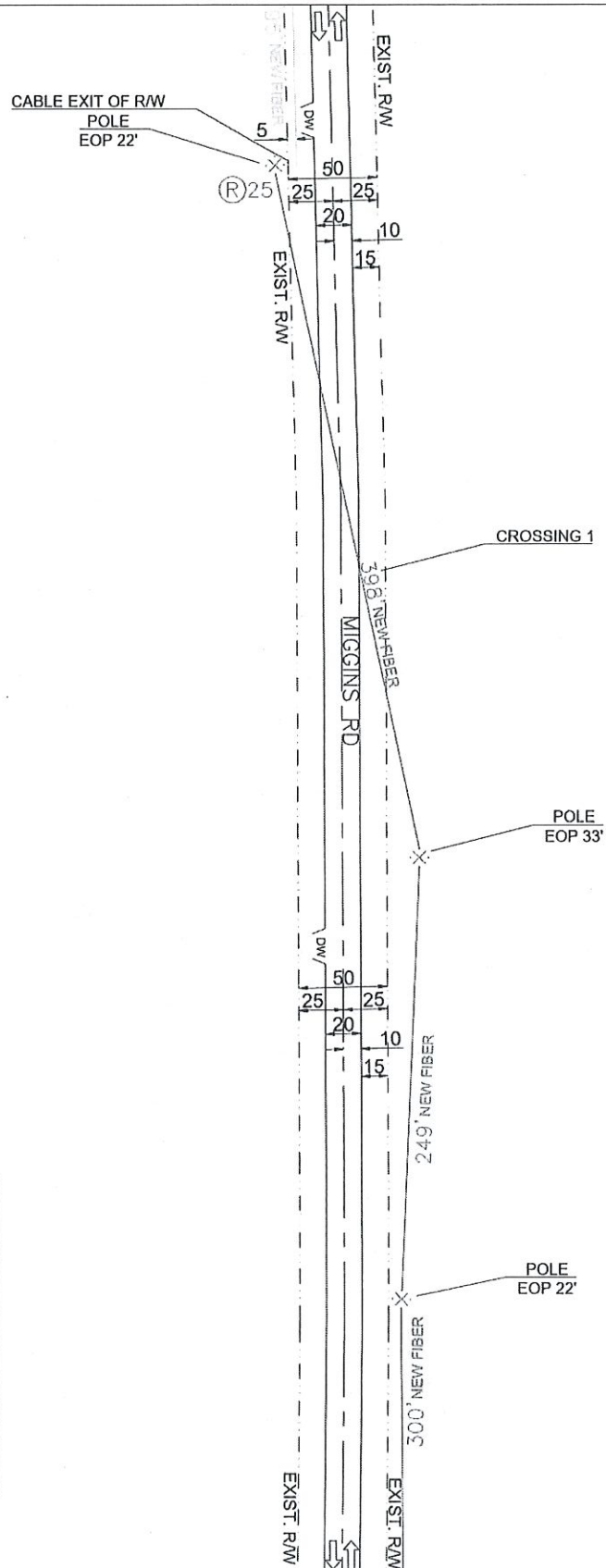
# MATCH SHEET 3

PREPARED BY:  	EXISTING POLE PROPOSED PEDESTAL PROPOSED VAULT WATER VALVE FIBER MARKER GAS MARKER MANHOLE SEWER MANHOLE STORM DRAIN	RIGHT OF WAY LINE IRRIGATION LINE WATER LANE GAS LANE PROPOSED ANCHOR PROPOSED RISER	PROPOSED COAXIAL CABLE PROPOSED FIBER CABLE PROPOSED DIRECTIONAL BORE EXISTING CABLE		ENGINEERED FOR:  	MADISON COUNTY  MIGGINS RD  TRANSPORT FIBER
	LEGEND: RW - RIGHT OF WAY EOP - EDGE OF PAVEMENT DW - DRIVEWAY PDW - PAVED DRIVEWAY	NOTES: BORE HOLE TO BE FILLED SAME DAY VAULT HOLE TO BE FILLED SAME DAY ALL HOLE TO BE TAMPED AND SODDED	NO SCALE		SHEET 2 OF 34	



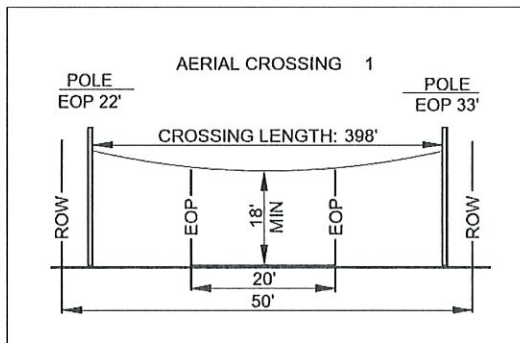
MATCH SHEET 2

PROPOSED COMCAST NEW ATTACHMENT  
 18' MINIMUM HEIGHT AT ALL POINTS  
 1 48CT FIBER CABLE  
 PROPOSED COMCAST UNDERGROUND  
 DIRECTIONAL BORE  
 4' MINIMUM DEPTH AT ALL POINTS  
 1 48CT FIBER CABLE  
 NO OTHER BURIED UTILITIES EXIST  
 INSTALLATION LENGTH IN RW ON THIS SHEET 356 FT



NO MATCH SHEET

NO MATCH SHEET



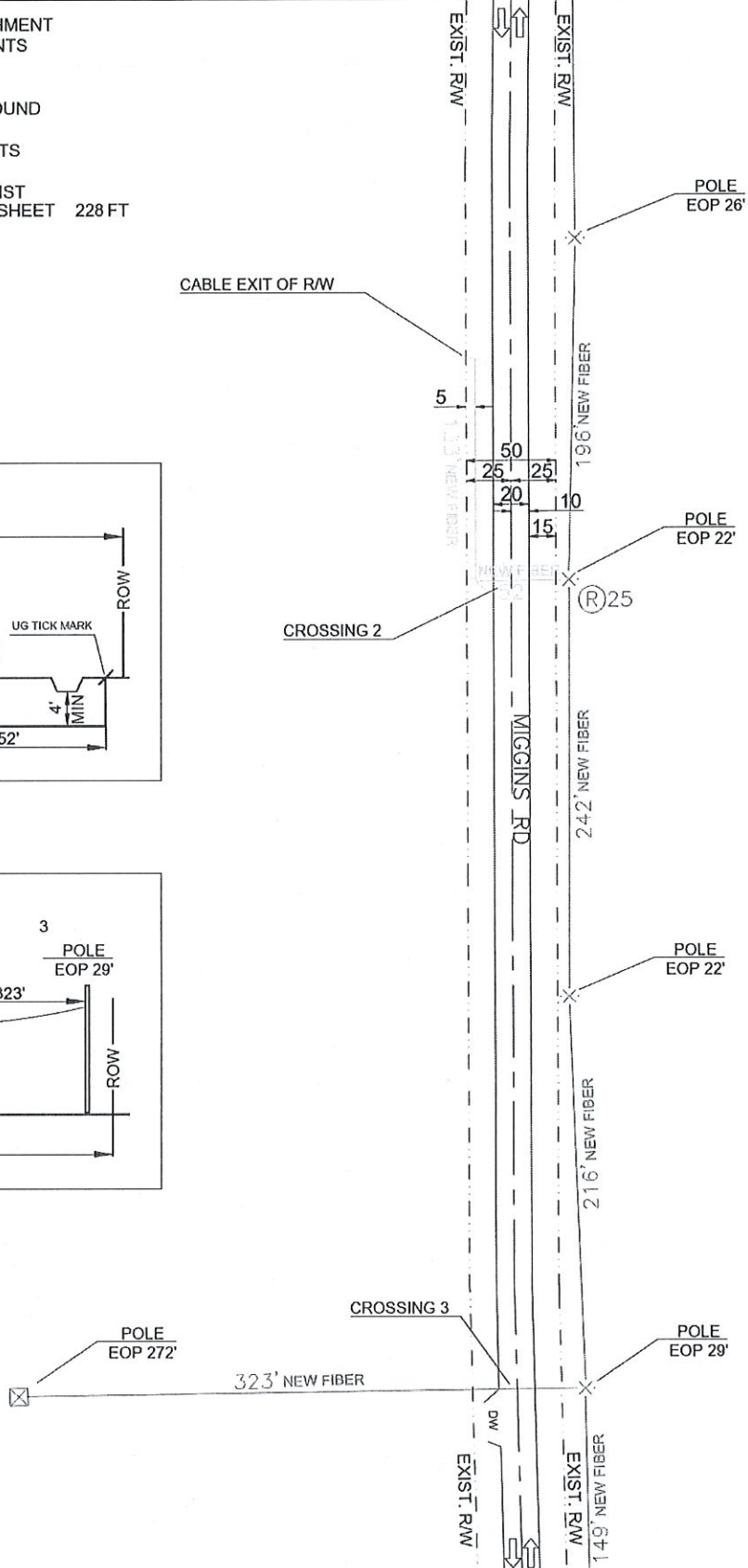
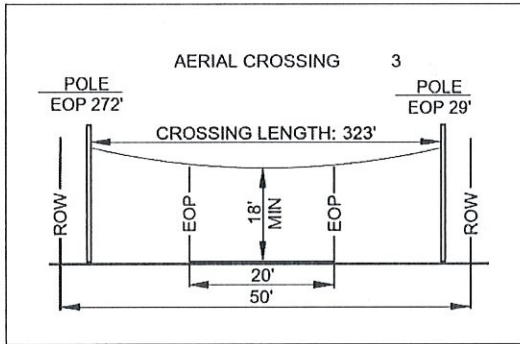
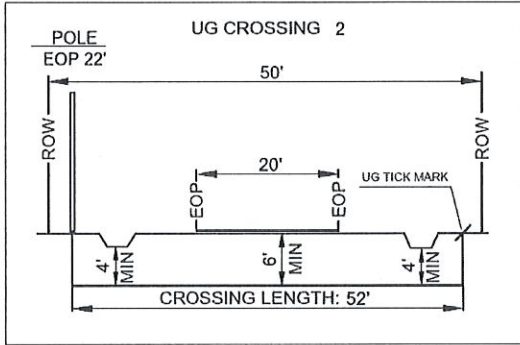
MATCH SHEET 4

PREPARED BY:  	EXISTING POLE PROPOSED PEDESTAL PROPOSED VAULT WATER VALVE FIBER MARKER GAS MARKER MANHOLE SEWER MANHOLE STORM DRAIN	RIGHT OF WAY LINE IRRIGATION LINE WATER LANE GAS LANE PROPOSED ANCHOR PROPOSED RISER	PROPOSED COAXIAL CABLE PROPOSED FIBER CABLE PROPOSED DIRECTIONAL BORE EXISTING CABLE		ENGINEERED FOR: MADISON COUNTY MIGGINS RD TRANSPORT FIBER		NO SCALE	SHEET 3 OF 34
	QUASAR, INC.	LEGEND: RW - RIGHT OF WAY EOP - EDGE OF PAVEMENT DW - DRIVEWAY PDW - PAVED DRIVEWAY	NOTES: BORE HOLE TO BE FILLED SAME DAY VAULT HOLE TO BE FILLED SAME DAY ALL HOLE TO BE TAMPED AND SODDED					

MATCH SHEET 3

PROPOSED COMCAST NEW ATTACHMENT  
 18' MINIMUM HEIGHT AT ALL POINTS  
 1 24CT FIBER CABLE  
 1 48CT FIBER CABLE  
 PROPOSED COMCAST UNDERGROUND  
 DIRECTIONAL BORE  
 4' MINIMUM DEPTH AT ALL POINTS  
 1 48CT FIBER CABLE  
 NO OTHER BURIED UTILITIES EXIST  
 INSTALLATION LENGTH IN RW ON THIS SHEET 228 FT

NO MATCH SHEET



NO MATCH SHEET

MATCH SHEET 5

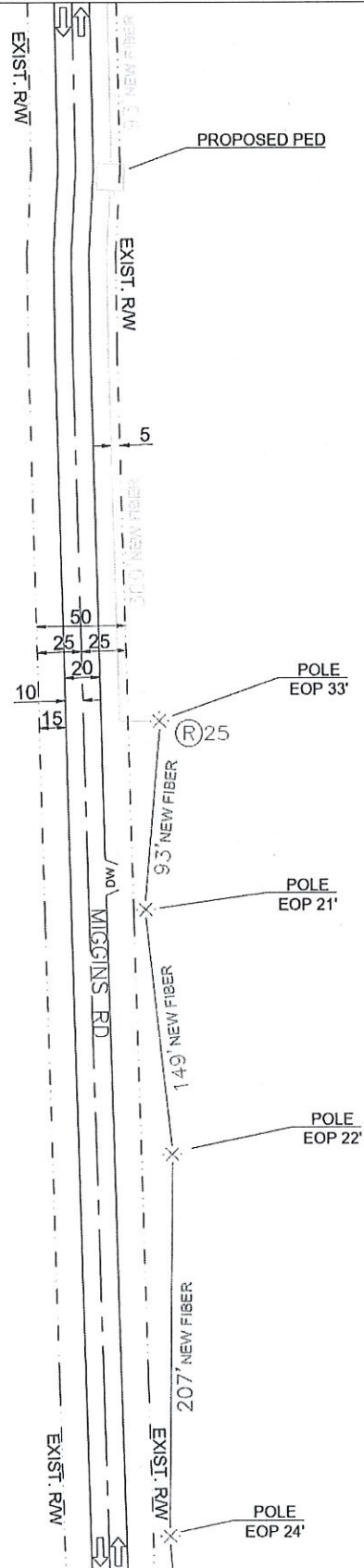
PREPARED BY:  	EXISTING POLE PROPOSED PEDESTAL PROPOSED VAULT WATER VALVE FIBER MARKER GAS MARKER MANHOLE SEWER MANHOLE STORM DRAIN	RIGHT OF WAY LINE IRRIGATION LINE WATER LAINE GAS LAINE PROPOSED ANCHOR PROPOSED RISER	PROPOSED COAXIAL CABLE PROPOSED FIBER CABLE PROPOSED DIRECTIONAL BORE EXISTING CABLE		ENGINEERED FOR:  	MADISON COUITY  MIGGINS RD  TRANSPORT FIBER
	LEGEND: RW - RIGHT OF WAY EOP - EDGE OF PAVEMENT DW - DRIVEWAY PDW - PAVED DRIVEWAY	NOTES: BORE HOLE TO BE FILLED SAME DAY VAULT HOLE TO BE FILLED SAME DAY ALL HOLE TO BE TAMPED AND SODDED	NO SCALE		SHEET 4 OF 34	





MATCH SHEET 5

PROPOSED COMCAST NEW ATTACHMENT  
 18' MINIMUM HEIGHT AT ALL POINTS  
 1 48CT FIBER CABLE  
 PROPOSED COMCAST UNDERGROUND  
 DIRECTIONAL BORE  
 4' MINIMUM DEPTH AT ALL POINTS  
 1 48CT FIBER CABLE  
 NO OTHER BURIED UTILITIES EXIST  
 INSTALLATION LENGTH IN RW ON THIS SHEET 385 FT



NO MATCH SHEET

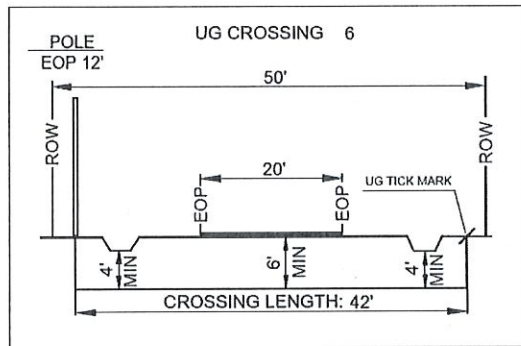
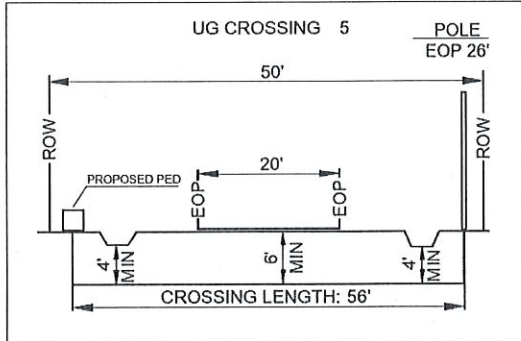
NO MATCH SHEET

MATCH SHEET 7

PREPARED BY:  	EXISTING POLE PROPOSED PEDESTAL PROPOSED VAULT WATER VALVE FIBER MARKER GAS MARKER MANHOLE SEWER MANHOLE STORM DRAIN	RIGHT OF WAY LINE IRRIGATION LINE WATER LAINE GAS LAINE PROPOSED ANCHOR PROPOSED RISER	PROPOSED COAXIAL CABLE PROPOSED FIBER CABLE PROPOSED DIRECTIONAL BORE EXISTING CABLE		ENGINEERED FOR:  	MADISON COUITY  MIGGINS RD  TRANSPORT FIBER
	LEGEND: RW - RIGHT OF WAY EOP - EDGE OF PAVEMENT DW - DRIVEWAY PDW - PAVED DRIVEWAY	NOTES: BORE HOLE TO BE FILLED SAME DAY VAULT HOLE TO BE FILLED SAME DAY ALL HOLE TO BE TAMPED AND SODDED	NO SCALE SHEET 6 OF 34			

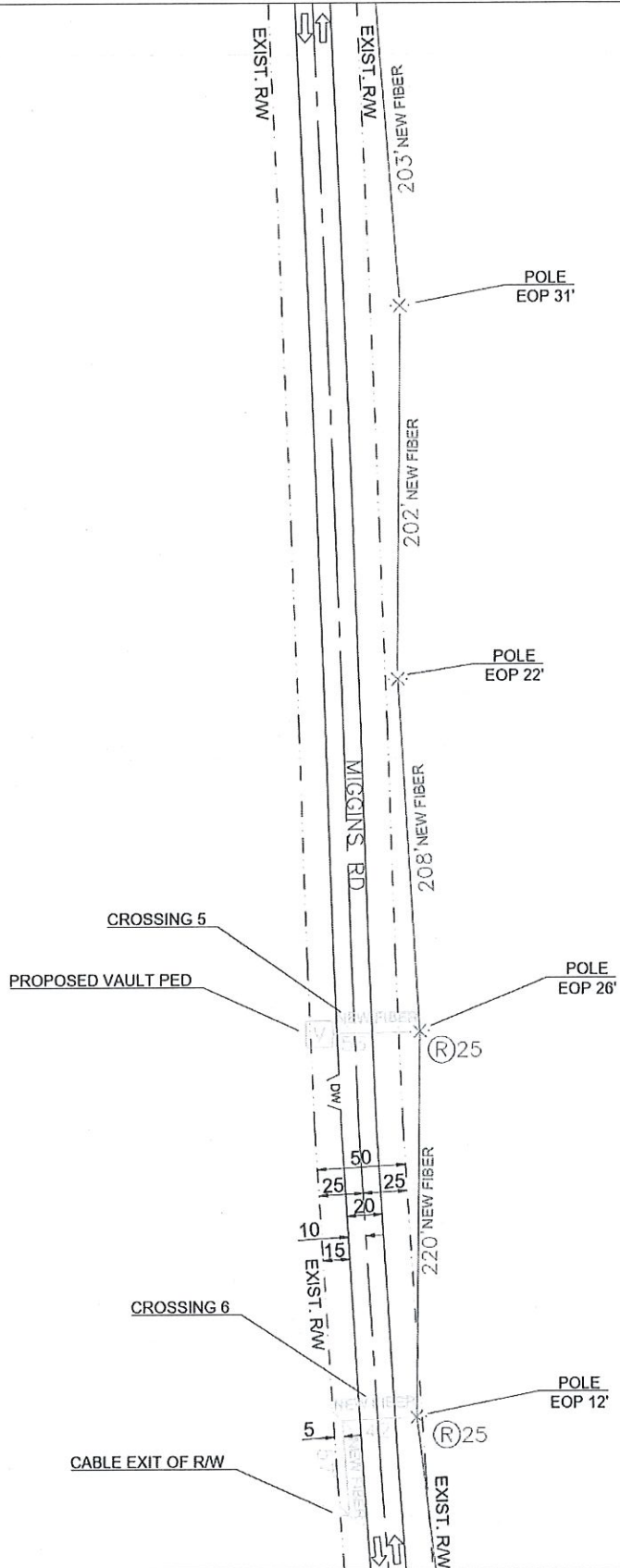
MATCH SHEET 6

PROPOSED COMCAST NEW ATTACHMENT  
 18' MINIMUM HEIGHT AT ALL POINTS  
 1 48CT FIBER CABLE  
 PROPOSED COMCAST UNDERGROUND  
 DIRECTIONAL BORE  
 4' MINIMUM DEPTH AT ALL POINTS  
 1 48CT FIBER CABLE  
 NO OTHER BURIED UTILITIES EXIST  
 INSTALLATION LENGTH IN RW ON THIS SHEET 239 FT



NO MATCH SHEET

NO MATCH SHEET



MATCH SHEET 8

PREPARED BY:  	EXISTING POLE PROPOSED PEDESTAL PROPOSED VAULT WATER VALVE FIBER MARKER GAS MARKER MANHOLE SEWER MANHOLE STORM DRAIN	RIGHT OF WAY LINE IRRIGATION LINE WATER LANE GAS LANE PROPOSED ANCHOR PROPOSED RISER	PROPOSED COAXIAL CABLE PROPOSED FIBER CABLE PROPOSED DIRECTIONAL BORE EXISTING CABLE		ENGINEERED FOR:  	MADISON COUNTY MIGGINS RD TRANSPORT FIBER
	LEGEND: RW - RIGHT OF WAY EOP - EDGE OF PAVEMENT DW - DRIVEWAY PDW - PAVED DRIVEWAY	NOTES: BORE HOLE TO BE FILLED SAME DAY VAULT HOLE TO BE FILLED SAME DAY ALL HOLE TO BE TAMPED AND SODDED	NO SCALE		SHEET 7 OF 34	

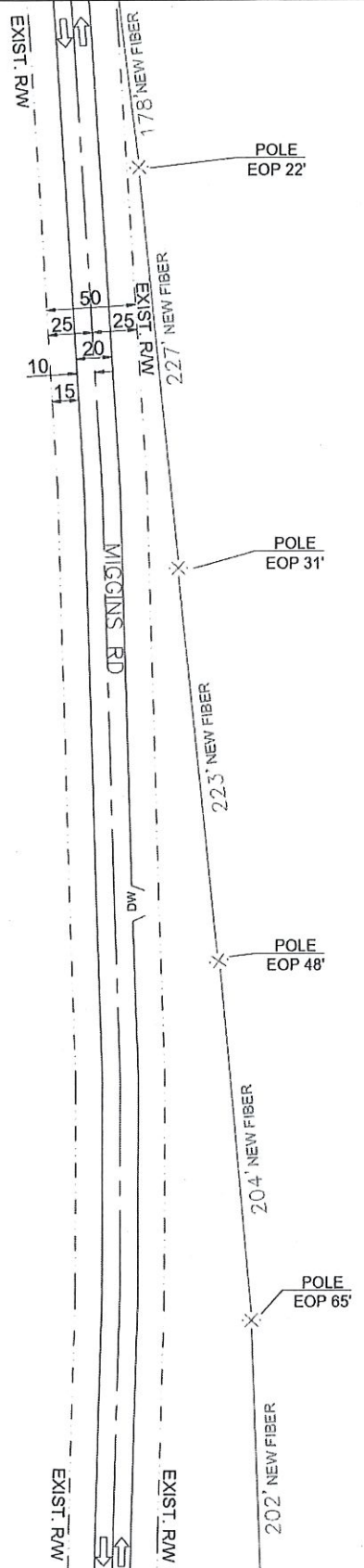


MATCH SHEET 7

PROPOSED COMCAST NEW ATTACHMENT  
 18' MINIMUM HEIGHT AT ALL POINTS  
 1 48CT FIBER CABLE  
 INSTALLATION LENGTH IN RW ON THIS SHEET 0 FT

NO MATCH SHEET

NO MATCH SHEET



MATCH SHEET 9

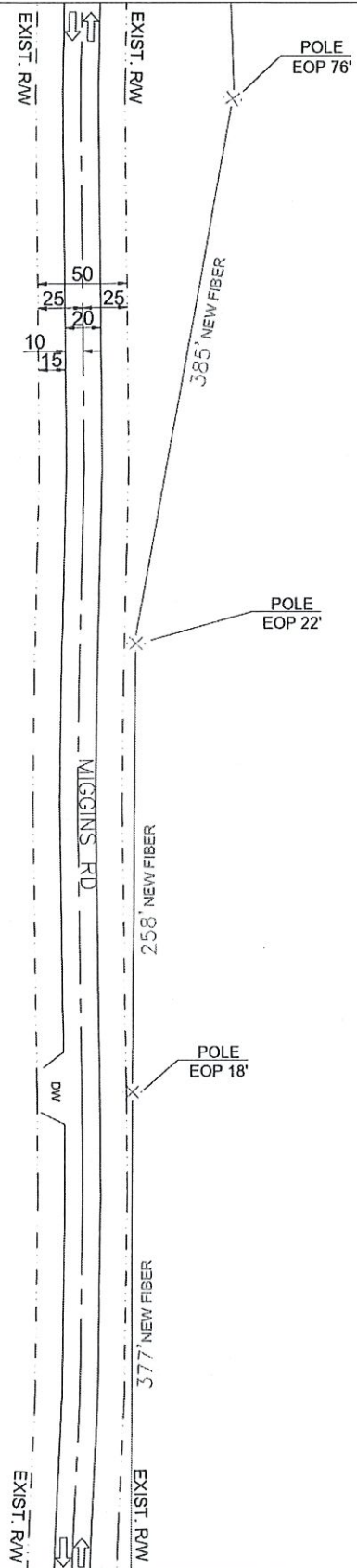
PREPARED BY:  	EXISTING POLE PROPOSED PEDESTAL PROPOSED VAULT WATER VALVE FIBER MARKER GAS MARKER MANHOLE SEWER MANHOLE STORM DRAIN	RIGHT OF WAY LINE IRRIGATION LINE WATER LAINE GAS LAINE PROPOSED ANCHOR PROPOSED RISER	PROPOSED COAXIAL CABLE PROPOSED FIBER CABLE PROPOSED DIRECTIONAL BORE EXISTING CABLE		ENGINEERED FOR:  	MADISON COUNTY  MIGGINS RD  TRANSPORT FIBER
	LEGEND: RW - RIGHT OF WAY EOP - EDGE OF PAVEMENT DW - DRIVEWAY PDW - PAVED DRIVEWAY	NOTES: BORE HOLE TO BE FILLED SAME DAY VAULT HOLE TO BE FILLED SAME DAY ALL HOLE TO BE TAMPED AND SODDED	NO SCALE		SHEET 8 OF 34	

MATCH SHEET 8

PROPOSED COMCAST NEW ATTACHMENT  
 18' MINIMUM HEIGHT AT ALL POINTS  
 1 48CT FIBER CABLE  
 INSTALLATION LENGTH IN RW ON THIS SHEET 0 FT

NO MATCH SHEET

NO MATCH SHEET



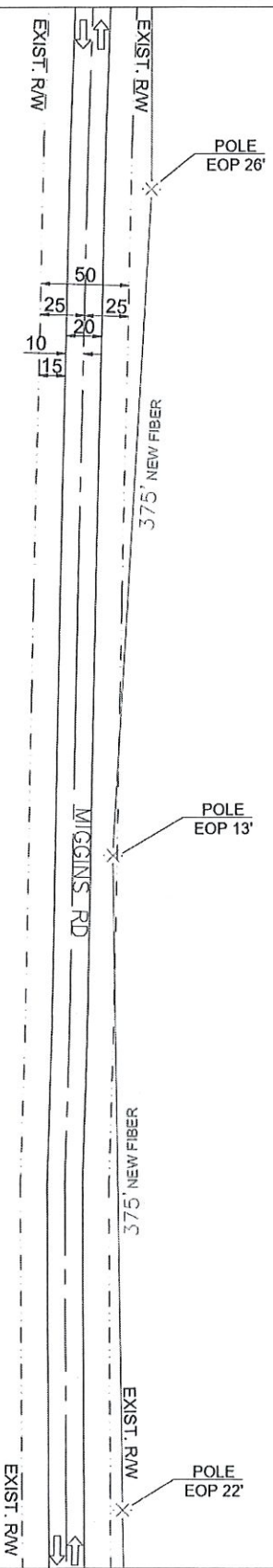
MATCH SHEET 10

PREPARED BY:  	EXISTING POLE PROPOSED PEDESTAL PROPOSED VAULT WATER VALVE FIBER MARKER GAS MARKER MANHOLE SEWER MANHOLE STORM DRAIN	RIGHT OF WAY LINE IRRIGATION LINE WATER LAINE GAS LAINE PROPOSED ANCHOR PROPOSED RISER LEGEND: RW - RIGHT OF WAY EOP - EDGE OF PAVEMENT DW - DRIVEWAY PDW - PAVED DRIVEWAY	PROPOSED COAXIAL CABLE PROPOSED FIBER CABLE PROPOSED DIRECTIONAL BORE EXISTING CABLE		ENGINEERED FOR: MADISON COUNTY MIGGINS RD TRANSPORT FIBER		NO SCALE	SHEET 9 OF 34
	NOTES: BORE HOLE TO BE FILLED SAME DAY VAULT HOLE TO BE FILLED SAME DAY ALL HOLE TO BE TAMPED AND SODDED							

PROPOSED COMCAST NEW ATTACHMENT  
 18' MINIMUM HEIGHT AT ALL POINTS  
 1 48CT FIBER CABLE  
 INSTALLATION LENGHT IN RW ON THIS SHEET 132 FT

NO MATCH SHEET

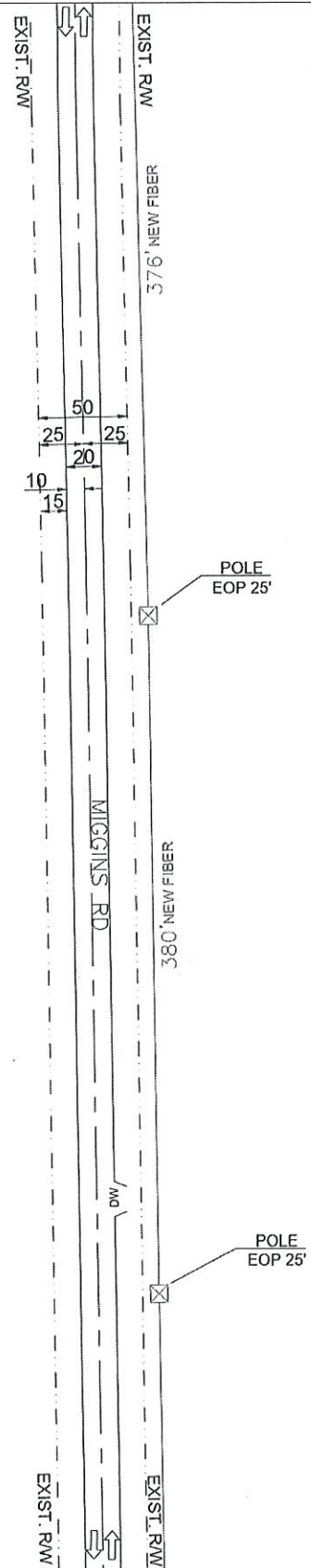
NO MATCH SHEET



PREPARED BY:  	EXISTING POLE PROPOSED PEDESTAL PROPOSED VAULT WATER VALVE FIBER MARKER GAS MARKER MANHOLE SEWER MANHOLE STORM DRAIN	RIGHT OF WAY LINE IRRIGATION LINE WATER LAINE GAS LAINE PROPOSED ANCHOR PROPOSED RISER	PROPOSED COAXIAL CABLE PROPOSED FIBER CABLE PROPOSED DIRECTIONAL BORE EXISTING CABLE		ENGINEERED FOR:  	MADISON COUNTY  MIGGINS RD  TRANSPORT FIBER
	LEGEND: RW - RIGHT OF WAY EOP - EDGE OF PAVEMENT DW - DRIVEWAY PDW - PAVED DRIVEWAY	NOTES: BORE HOLE TO BE FILLED SAME DAY VAULT HOLE TO BE FILLED SAME DAY ALL HOLE TO BE TAMPED AND SODDED	NO SCALE SHEET 10 OF 34			



PROPOSED COMCAST NEW ATTACHMENT  
 18' MINIMUM HEIGHT AT ALL POINTS  
 1 48CT FIBER CABLE  
 INSTALLATION LENGHT IN RW ON THIS SHEET 0 FT



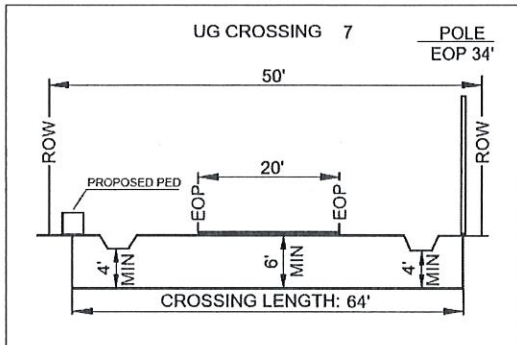
NO MATCH SHEET

NO MATCH SHEET

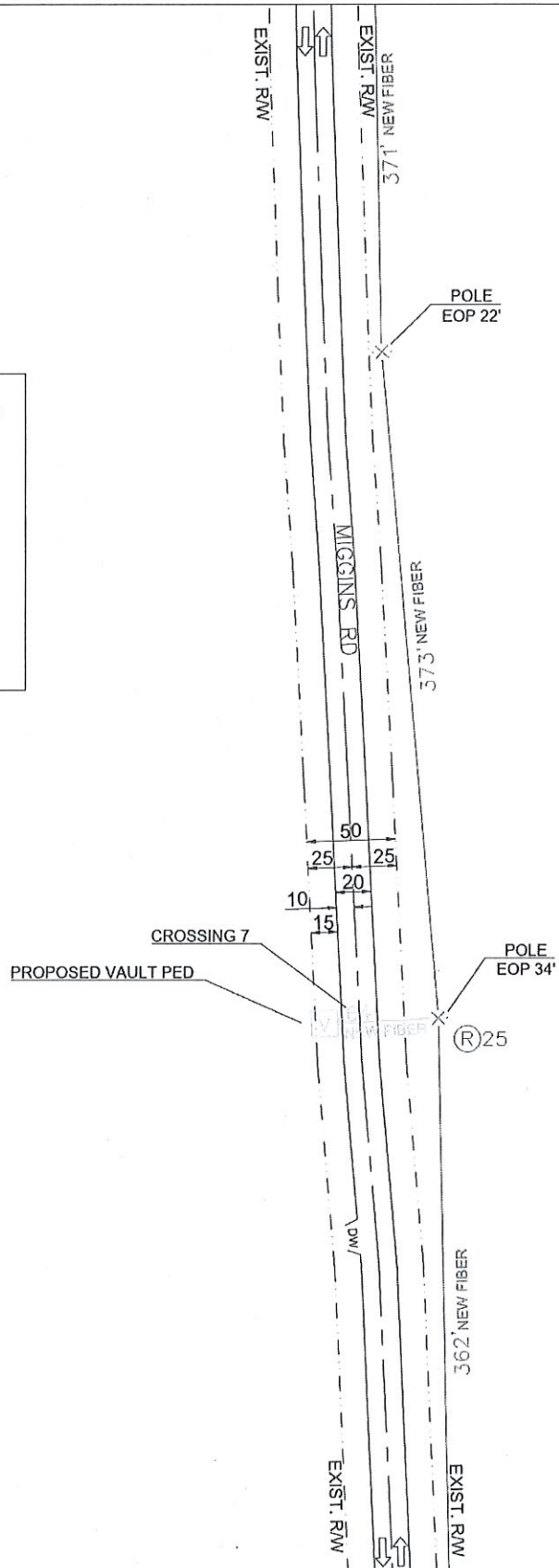
PREPARED BY:  	EXISTING POLE PROPOSED PEDESTAL PROPOSED VAULT WATER VALVE FIBER MARKER GAS MARKER MANHOLE SEWER MANHOLE STORM DRAIN	RIGHT OF WAY LINE IRRIGATION LINE WATER LAINE GAS LAINE PROPOSED ANCHOR PROPOSED RISER	PROPOSED COAXIAL CABLE PROPOSED FIBER CABLE PROPOSED DIRECTIONAL BORE EXISTING CABLE		ENGINEERED FOR:  	MADISON COUNTY  MIGGINS RD  TRANSPORT FIBER
	LEGEND: RW - RIGHT OF WAY EOP - EDGE OF PAVEMENT DW - DRIVEWAY PDW - PAVED DRIVEWAY	NOTES: BORE HOLE TO BE FILLED SAME DAY VAULT HOLE TO BE FILLED SAME DAY ALL HOLE TO BE TAMPED AND SODDED	NO SCALE SHEET 11 OF 34			

MATCH SHEET 11

PROPOSED COMCAST NEW ATTACHMENT  
 18' MINIMUM HEIGHT AT ALL POINTS  
 1 48CT FIBER CABLE  
 PROPOSED COMCAST UNDERGROUND  
 DIRECTIONAL BORE  
 4' MINIMUM DEPTH AT ALL POINTS  
 1 48CT FIBER CABLE  
 NO OTHER BURIED UTILITIES EXIST  
 INSTALLATION LENGHT IN RW ON THIS SHEET 45 FT



NO MATCH SHEET



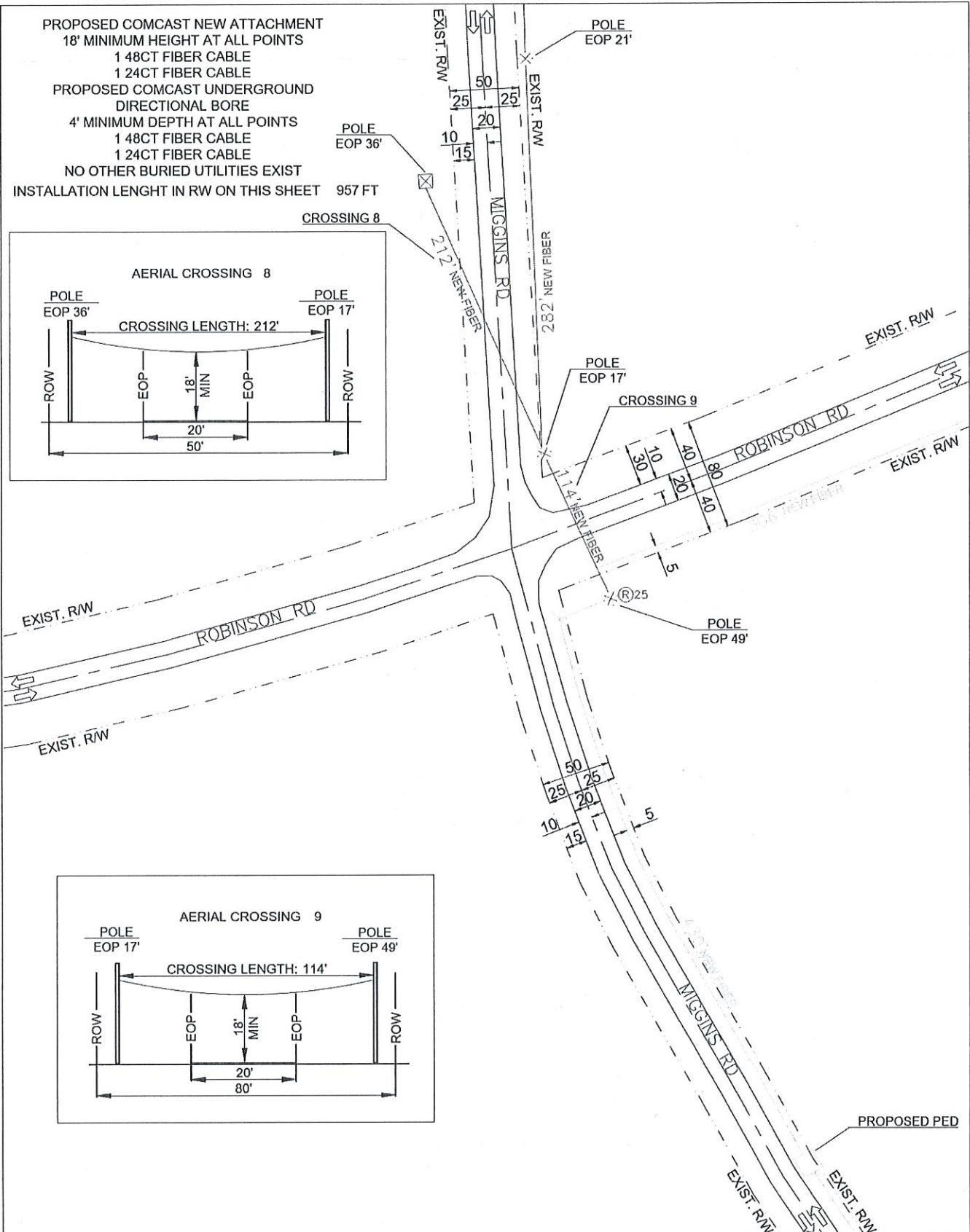
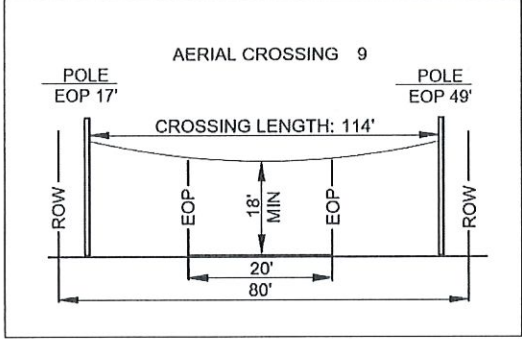
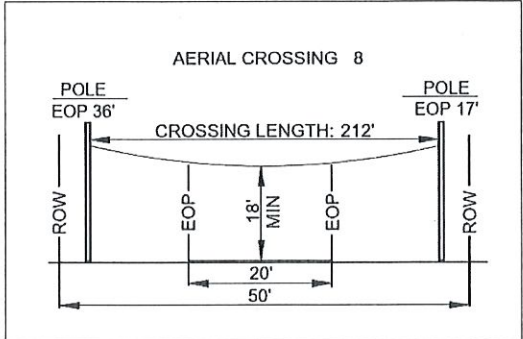
NO MATCH SHEET

MATCH SHEET 13

PREPARED BY:  	EXISTING POLE PROPOSED PEDESTAL PROPOSED VAULT WATER VALVE FIBER MARKER GAS MARKER MANHOLE SEWER MANHOLE STORM DRAIN	RIGHT OF WAY LINE IRRIGATION LINE WATER LAINE GAS LAINE PROPOSED ANCHOR PROPOSED RISER	PROPOSED COAXIAL CABLE PROPOSED FIBER CABLE PROPOSED DIRECTIONAL BORE EXISTING CABLE		ENGINEERED FOR:  	MADISON COUNTY  MIGGINS RD  TRANSPORT FIBER
	LEGEND: RW - RIGHT OF WAY EOP - EDGE OF PAVEMENT DW - DRIVEWAY PDW - PAVED DRIVEWAY	NOTES: BORE HOLE TO BE FILLED SAME DAY VAULT HOLE TO BE FILLED SAME DAY ALL HOLE TO BE TAMPED AND SODDED	NO SCALE		SHEET 12 OF 34	

# MATCH SHEET 12

PROPOSED COMCAST NEW ATTACHMENT  
 18' MINIMUM HEIGHT AT ALL POINTS  
 1 48CT FIBER CABLE  
 1 24CT FIBER CABLE  
 PROPOSED COMCAST UNDERGROUND  
 DIRECTIONAL BORE  
 4' MINIMUM DEPTH AT ALL POINTS  
 1 48CT FIBER CABLE  
 1 24CT FIBER CABLE  
 NO OTHER BURIED UTILITIES EXIST  
 INSTALLATION LENGTH IN RW ON THIS SHEET 957 FT



NO MATCH SHEET

MATCH SHEET 14

# MATCH SHEET 28

PREPARED BY: QUASAR, INC.	EXISTING POLE PROPOSED PEDESTAL PROPOSED VAULT WATER VALVE FIBER MARKER GAS MARKER MANHOLE SEWER MANHOLE STORM DRAIN	RIGHT OF WAY LINE IRRIGATION LINE WATER LAINE GAS LAINE PROPOSED ANCHOR PROPOSED RISER	PROPOSED COAXIAL CABLE PROPOSED FIBER CABLE PROPOSED DIRECTIONAL BORE EXISTING CABLE	ENGINEERED FOR: COMCAST	MADISON COUNTY MIGGINS RD, ROBINSON RD TRANSPORT FIBER
	LEGEND: RW - RIGHT OF WAY EOP - EDGE OF PAVEMENT DW - DRIVEWAY PDW - PAVED DRIVEWAY	NOTES: BORE HOLE TO BE FILLED SAME DAY VAULT HOLE TO BE FILLED SAME DAY ALL HOLE TO BE TAMPED AND SODDED	NO SCALE   SHEET 13 OF 34		

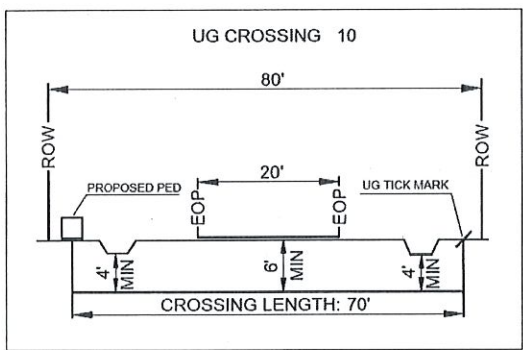
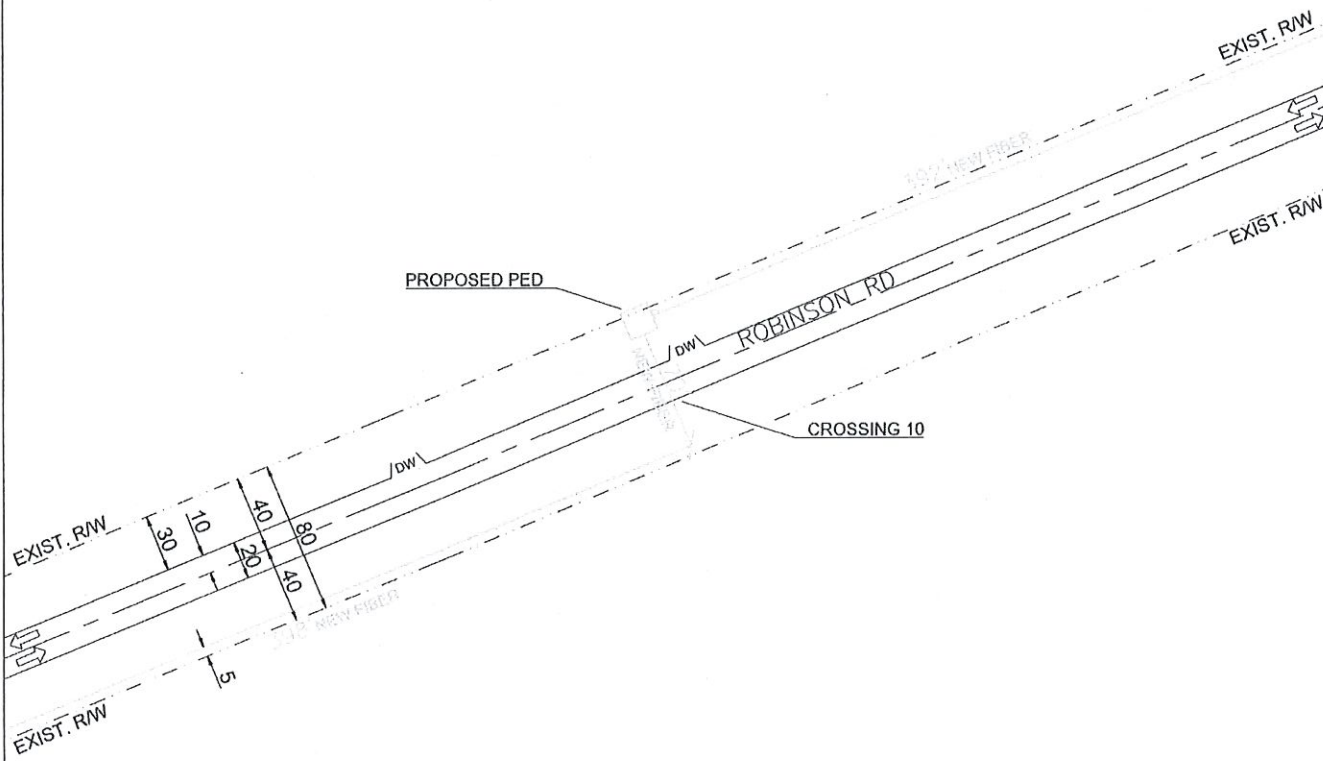


NO MATCH SHEET

MATCH SHEET 15

MATCH SHEET 13

PROPOSED COMCAST UNDERGROUND  
 DIRECTIONAL BORE  
 4' MINIMUM DEPTH AT ALL POINTS  
 1 24CT FIBER CABLE  
 NO OTHER BURIED UTILITIES EXIST  
 INSTALLATION LENGHT IN RW ON THIS SHEET 860 FT



NO MATCH SHEET

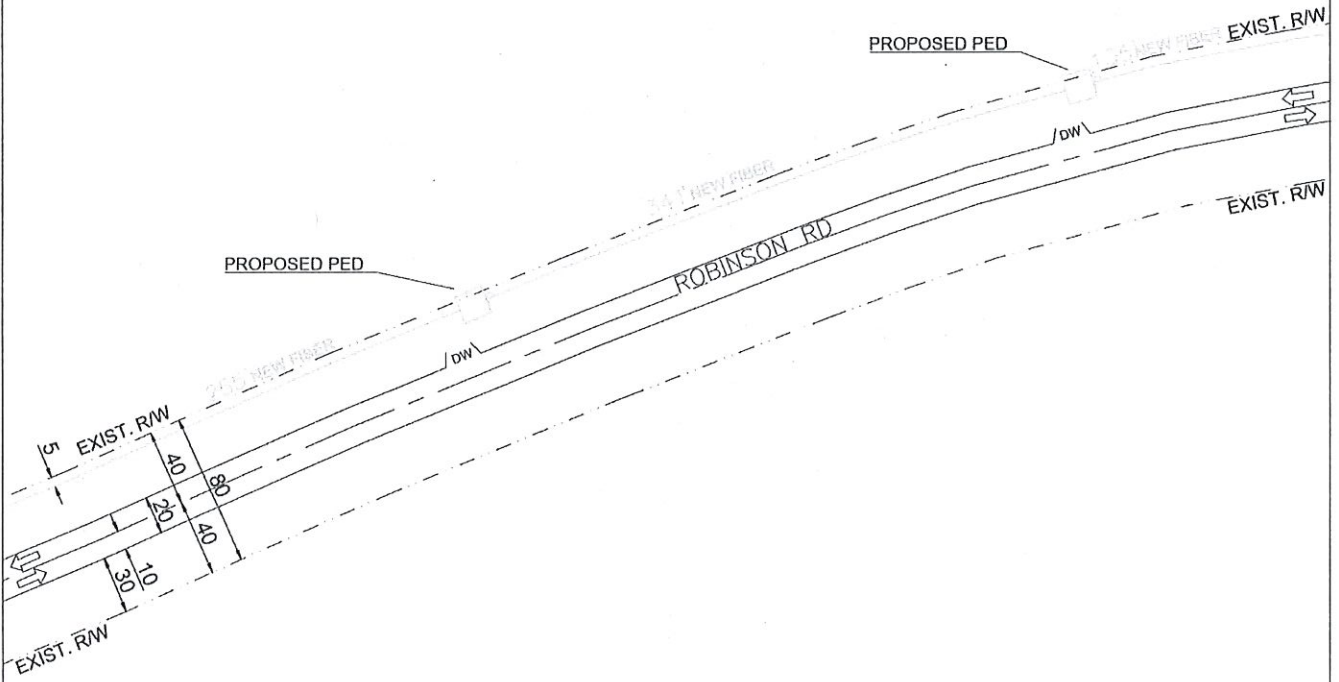
PREPARED BY: 	EXISTING POLE PROPOSED PEDESTAL PROPOSED VAULT WATER VALVE FIBER MARKER GAS MARKER MANHOLE SEWER MANHOLE STORM DRAIN	RIGHT OF WAY LINE IRRIGATION LINE WATER LAJE GAS LAJE PROPOSED ANCHOR PROPOSED RISER	PROPOSED COAXIAL CABLE PROPOSED FIBER CABLE PROPOSED DIRECTIONAL BORE EXISTING CABLE		ENGINEERED FOR: 	MADISON COUNTY ROBINSON RD TRANSPORT FIBER
	LEGEND: RW - RIGHT OF WAY EOP - EDGE OF PAVEMENT DWL - DRIVEWAY POW - PAVED DRIVEWAY	NOTES: BORE HOLE TO BE FILLED SAME DAY VAULT HOLE TO BE FILLED SAME DAY ALL HOLE TO BE TAMPED AND SODDED	NO SCALE		SHEET 14 OF 34	

NO MATCH SHEET

PROPOSED COMCAST UNDERGROUND  
 DIRECTIONAL BORE  
 4' MINIMUM DEPTH AT ALL POINTS  
 1 24CT FIBER CABLE  
 NO OTHER BURIED UTILITIES EXIST  
 INSTALLATION LENGTH IN RW ON THIS SHEET 731 FT

MATCH SHEET 14

MATCH SHEET 16



NO MATCH SHEET

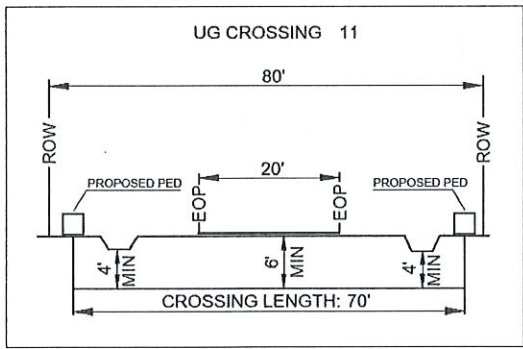
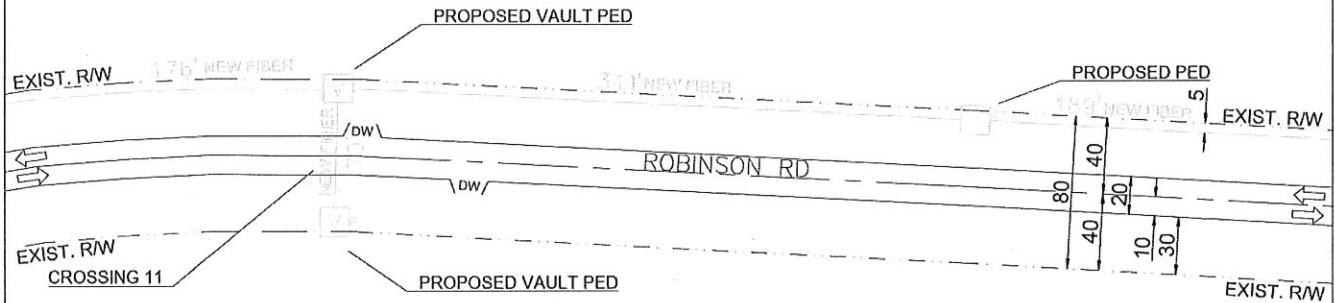
PREPARED BY:  	EXISTING POLE PROPOSED PEDESTAL PROPOSED VAULT WATER VALVE FIBER MARKER GAS MARKER MANHOLE SEWER MANHOLE STORM DRAIN	RIGHT OF WAY LINE IRRIGATION LINE WATER LAINE GAS LAINE PROPOSED ANCHOR PROPOSED RISER	PROPOSED COAXIAL CABLE PROPOSED FIBER CABLE PROPOSED DIRECTIONAL BORE EXISTING CABLE		ENGINEERED FOR:  	MADISON COUNTY ROBINSON RD TRANSPORT FIBER
	LEGEND: RW - RIGHT OF WAY EOP - EDGE OF PAVEMENT DRW - DRIVEWAY PDW - PAVED DRIVEWAY	NOTES: BORE HOLE TO BE FILLED SAME DAY VAULT HOLE TO BE FILLED SAME DAY ALL HOLE TO BE TAMPED AND SODDED	NO SCALE SHEET 15 OF 34			

NO MATCH SHEET

PROPOSED COMCAST UNDERGROUND  
 DIRECTIONAL BORE  
 4' MINIMUM DEPTH AT ALL POINTS  
 1 24CT FIBER CABLE  
 NO OTHER BURIED UTILITIES EXIST  
 INSTALLATION LENGHT IN RW ON THIS SHEET 776 FT

MATCH SHEET 15

MATCH SHEET 17



NO MATCH SHEET

PREPARED BY:  	EXISTING POLE PROPOSED PEDESTAL PROPOSED VAULT WATER VALVE FIBER MARKER GAS MARKER MANHOLE SEWER MANHOLE STORM DRAIN	RIGHT OF WAY LINE IRRIGATION LINE WATER LANE GAS LANE PROPOSED ANCHOR PROPOSED RISER	PROPOSED COAXIAL CABLE PROPOSED FIBER CABLE PROPOSED DIRECTIONAL BORE EXISTING CABLE		ENGINEERED FOR:  	MADISON COUNTY  ROBINSON RD  TRANSPORT FIBER
	LEGEND: RW - RIGHT OF WAY EOP - EDGE OF PAVEMENT DW - DRIVEWAY PDW - PAVED DRIVEWAY	NOTES: BORE HOLE TO BE FILLED SAME DAY VAULT HOLE TO BE FILLED SAME DAY ALL HOLE TO BE TAMPED AND SODDED	NO SCALE SHEET 16 OF 34			

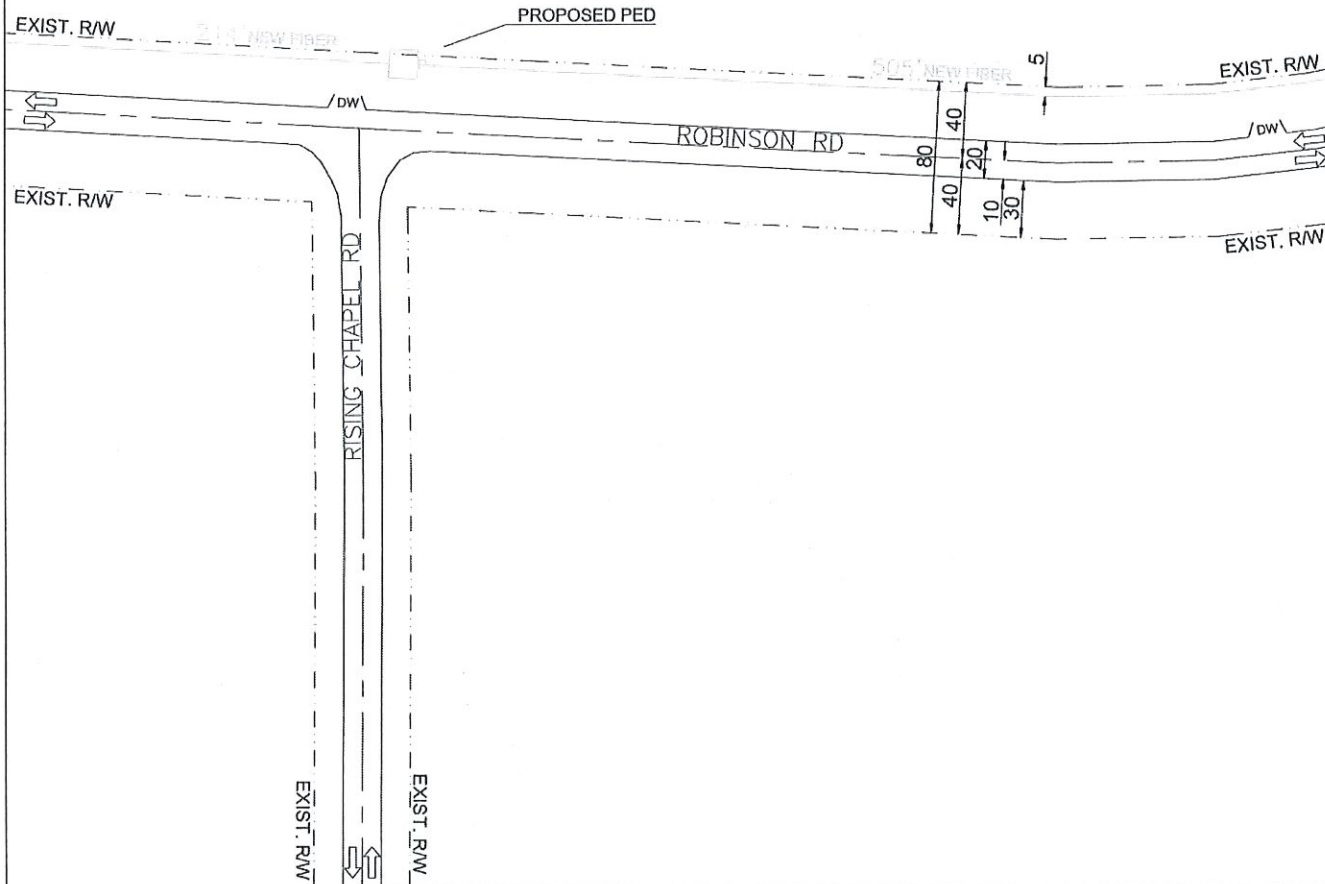


NO MATCH SHEET

PROPOSED COMCAST UNDERGROUND  
 DIRECTIONAL BORE  
 4' MINIMUM DEPTH AT ALL POINTS  
 1 24CT FIBER CABLE  
 NO OTHER BURIED UTILITIES EXIST  
 INSTALLATION LENGHT IN RW ON THIS SHEET 719 FT

MATCH SHEET 16

MATCH SHEET 18

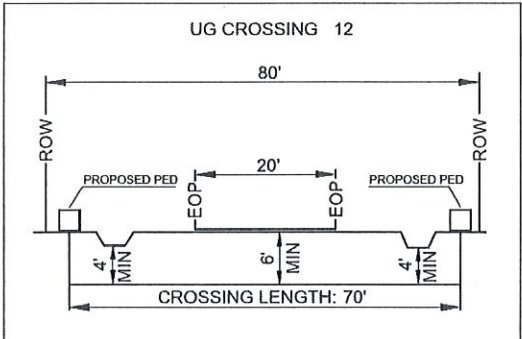
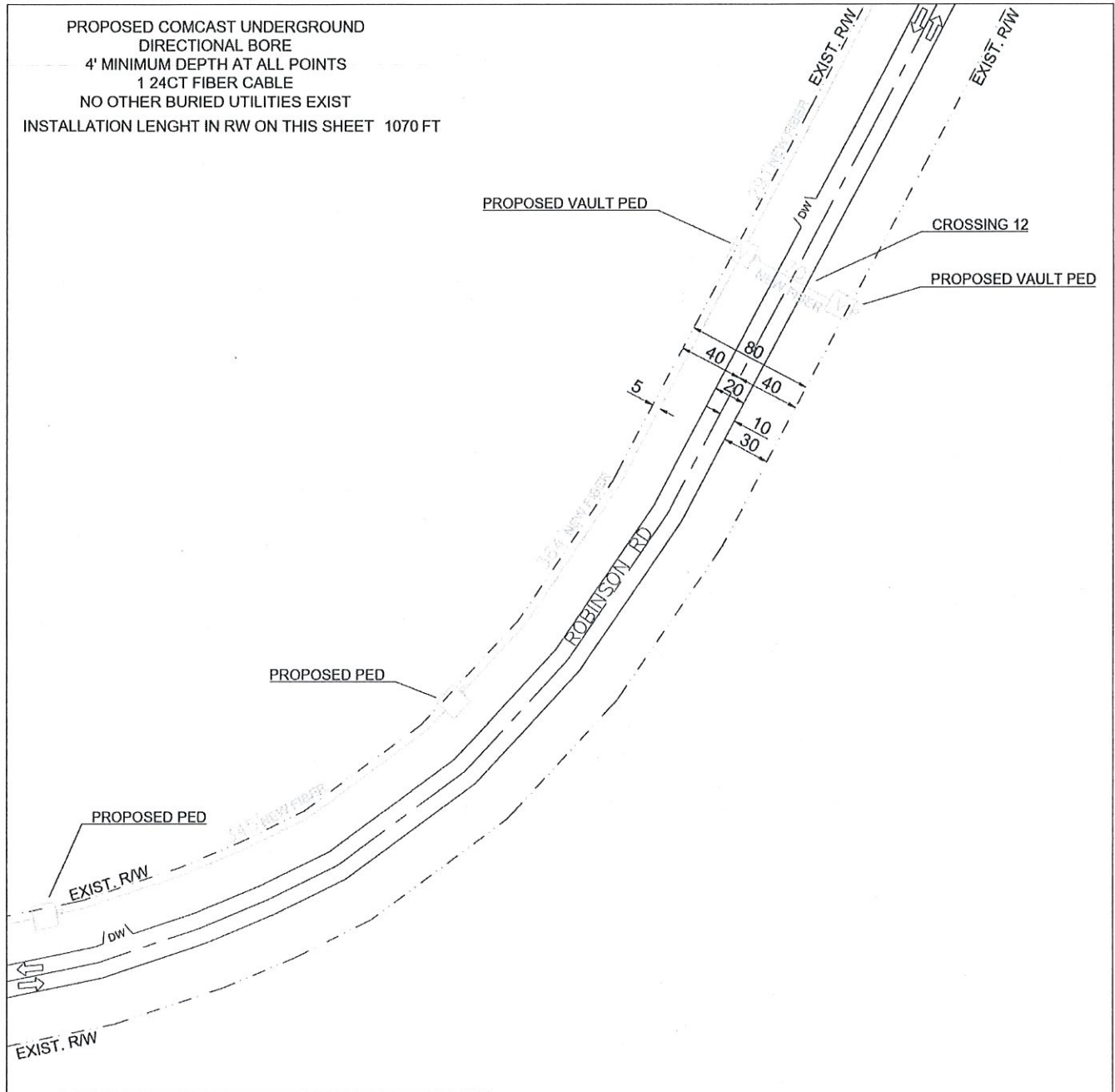


MATCH SHEET 26

PREPARED BY:  	EXISTING POLE PROPOSED PEDESTAL PROPOSED VAULT WATER VALVE FIBER MARKER GAS MARKER MANHOLE SEWER MANHOLE STORM DRAIN	RIGHT OF WAY LINE IRRIGATION LINE WATER LAINE GAS LAINE PROPOSED ANCHOR PROPOSED RISER (R) 25 LEGEND: RW - RIGHT OF WAY EOP - EDGE OF PAVEMENT DW - DRIVEWAY PDW - PAVED DRIVEWAY	PROPOSED COAXIAL CABLE PROPOSED FIBER CABLE PROPOSED DIRECTIONAL BORE EXISTING CABLE		ENGINEERED FOR:  	MADISON COUNTY  ROBINSON RD RISING CHAPELL RD TRANSPORT FIBER
	NOTES: BORE HOLE TO BE FILLED SAME DAY VAULT HOLE TO BE FILLED SAME DAY ALL HOLE TO BE TAMPED AND SOGDED			NO SCALE	SHEET 17 OF 34	

PROPOSED COMCAST UNDERGROUND  
 DIRECTIONAL BORE  
 4' MINIMUM DEPTH AT ALL POINTS  
 1 24CT FIBER CABLE  
 NO OTHER BURIED UTILITIES EXIST  
 INSTALLATION LENGHT IN RW ON THIS SHEET 1070 FT

MATCH SHEET 17



NO MATCH SHEET

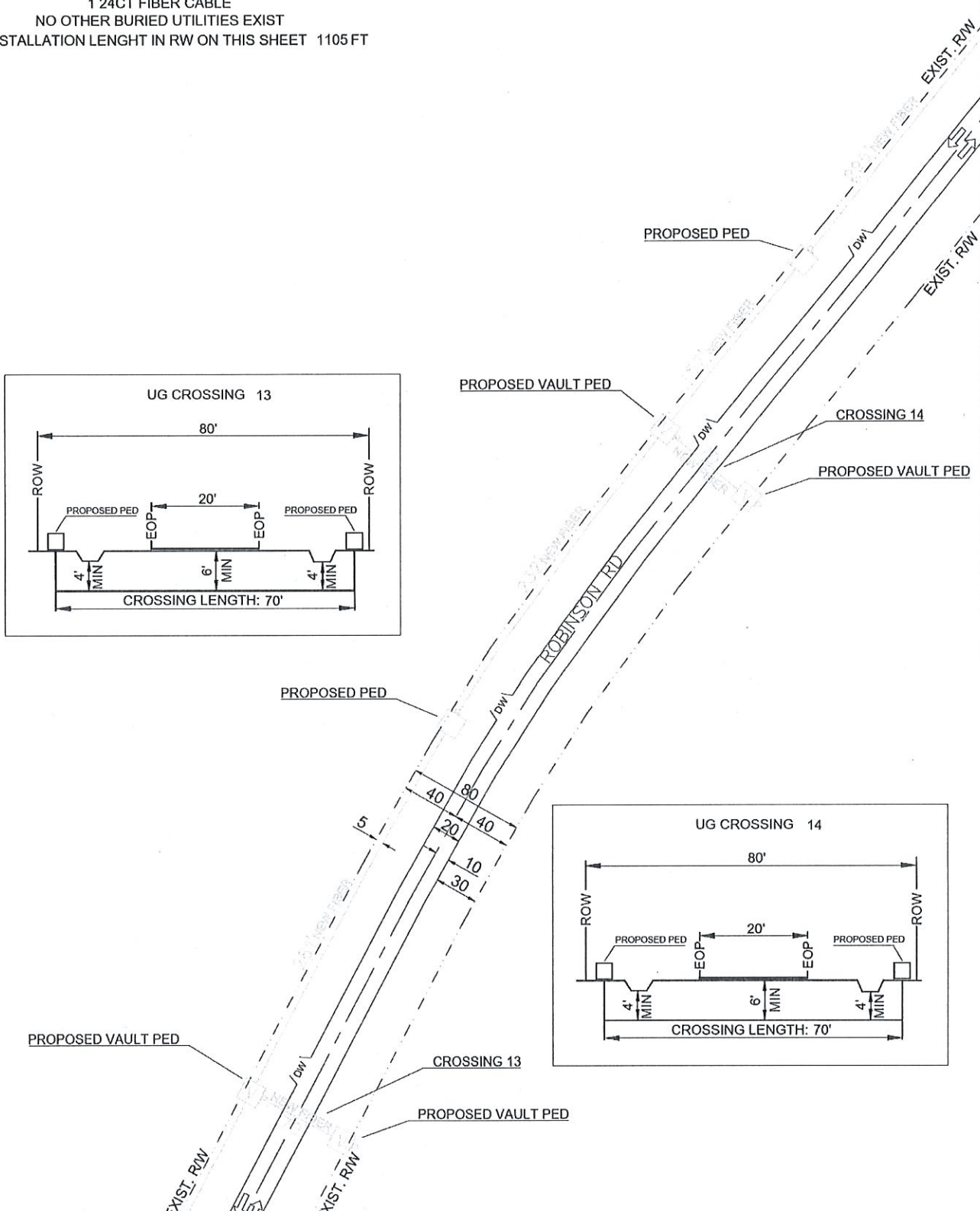
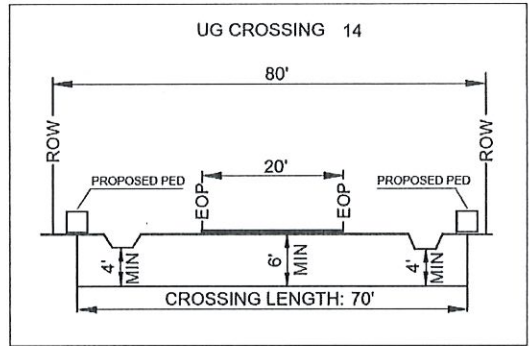
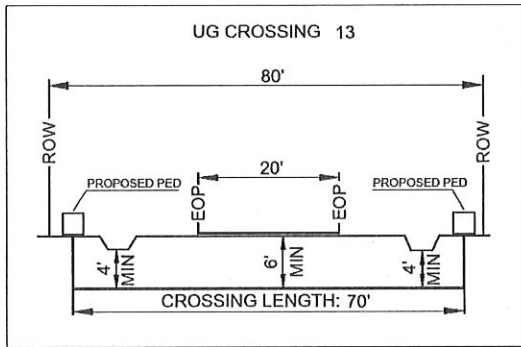
PREPARED BY:  	EXISTING POLE PROPOSED PEDESTAL PROPOSED VAULT WATER VALVE FIBER MARKER GAS MARKER MANHOLE SEWER MANHOLE STORM DRAIN	RIGHT OF WAY LINE IRRIGATION LINE WATER LANE GAS LANE PROPOSED ANCHOR PROPOSED RISER	PROPOSED COAXIAL CABLE PROPOSED FIBER CABLE PROPOSED DIRECTIONAL BORE EXISTING CABLE		ENGINEERED FOR:  	MADISON COUNTY  ROBINSON RD  TRANSPORT FIBER
	LEGEND: RW - RIGHT OF WAY EOP - EDGE OF PAVEMENT DW - DRIVEWAY PDW - PAVED DRIVEWAY	NOTES: BORE HOLE TO BE FILLED SAME DAY VAULT HOLE TO BE FILLED SAME DAY ALL HOLE TO BE TAMPED AND SODDED	NO SCALE SHEET 18 OF 34			

NO MATCH SHEET

MATCH SHEET 20

PROPOSED COMCAST UNDERGROUND  
 DIRECTIONAL BORE  
 4' MINIMUM DEPTH AT ALL POINTS  
 1 24CT FIBER CABLE  
 NO OTHER BURIED UTILITIES EXIST  
 INSTALLATION LENGHT IN RW ON THIS SHEET 1105 FT

NO MATCH SHEET



MATCH SHEET 18

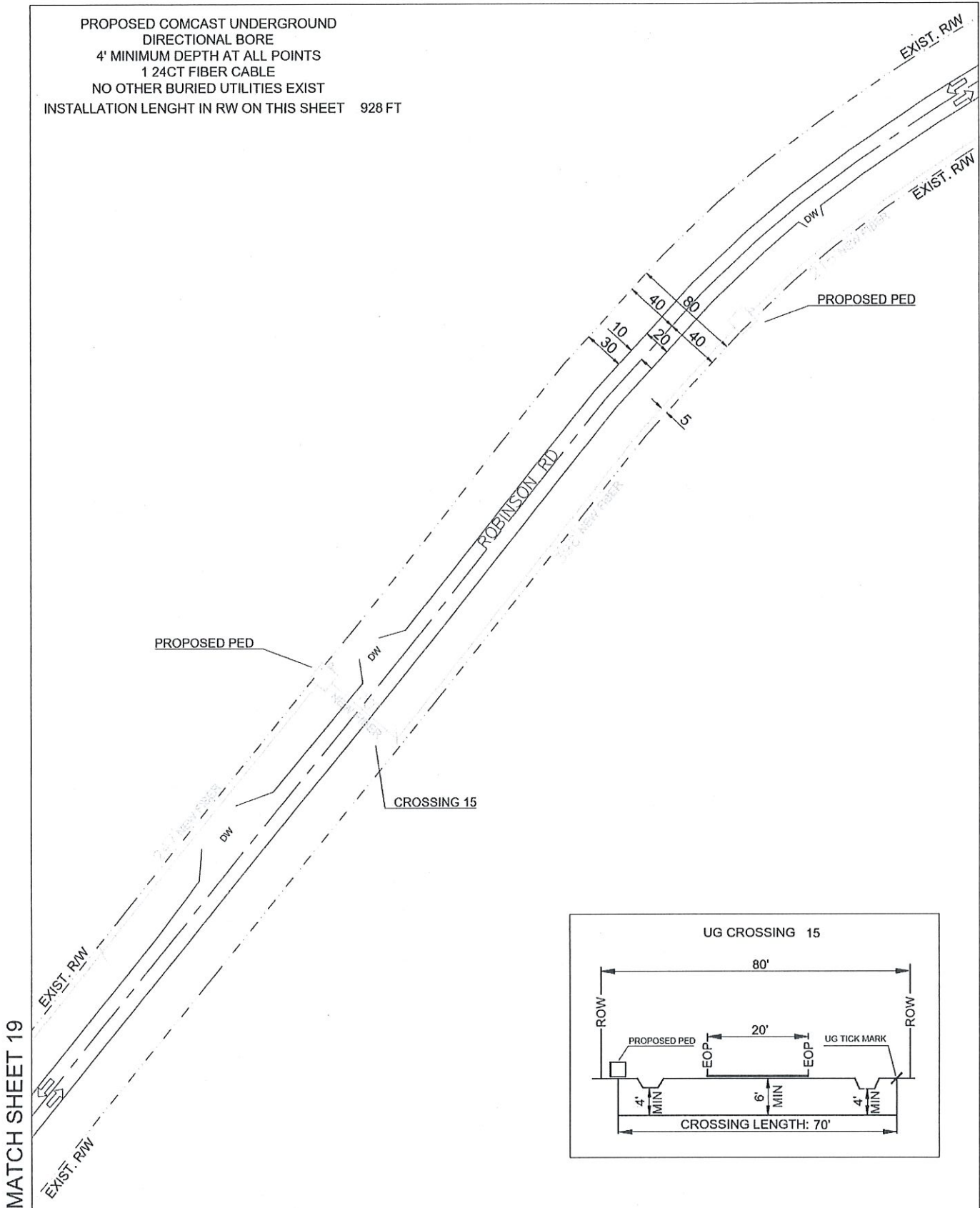
PREPARED BY:  	EXISTING POLE PROPOSED PEDESTAL PROPOSED VAULT WATER VALVE FIBER MARKER GAS MARKER MANHOLE SEWER MANHOLE STORM DRAIN	RIGHT OF WAY LINE IRRIGATION LINE WATER LAINE GAS LAINE PROPOSED ANCHOR PROPOSED RISER	PROPOSED COAXIAL CABLE PROPOSED FIBER CABLE PROPOSED DIRECTIONAL BORE EXISTING CABLE		ENGINEERED FOR:  	MADISON COUNTY ROBINSON RD TRANSPORT FIBER
	LEGEND: RW - RIGHT OF WAY EOP - EDGE OF PAVEMENT DW - DRIVEWAY PDW - PAVED DRIVEWAY	NOTES: BORE HOLE TO BE FILLED SAME DAY VAULT HOLE TO BE FILLED SAME DAY ALL HOLE TO BE TAMPED AND SODDED	NO SCALE SHEET 19 OF 34			



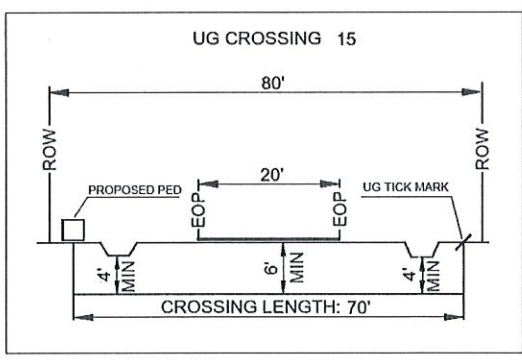
NO MATCH SHEET

MATCH SHEET 21

PROPOSED COMCAST UNDERGROUND  
 DIRECTIONAL BORE  
 4' MINIMUM DEPTH AT ALL POINTS  
 1 24CT FIBER CABLE  
 NO OTHER BURIED UTILITIES EXIST  
 INSTALLATION LENGHT IN RW ON THIS SHEET 928 FT



MATCH SHEET 19



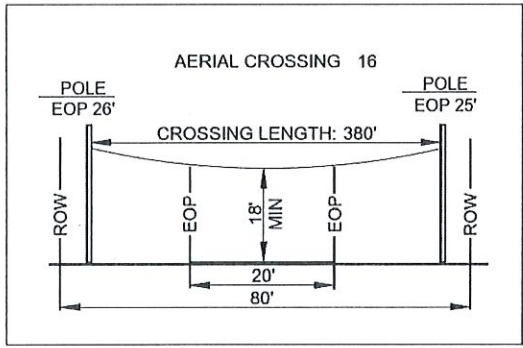
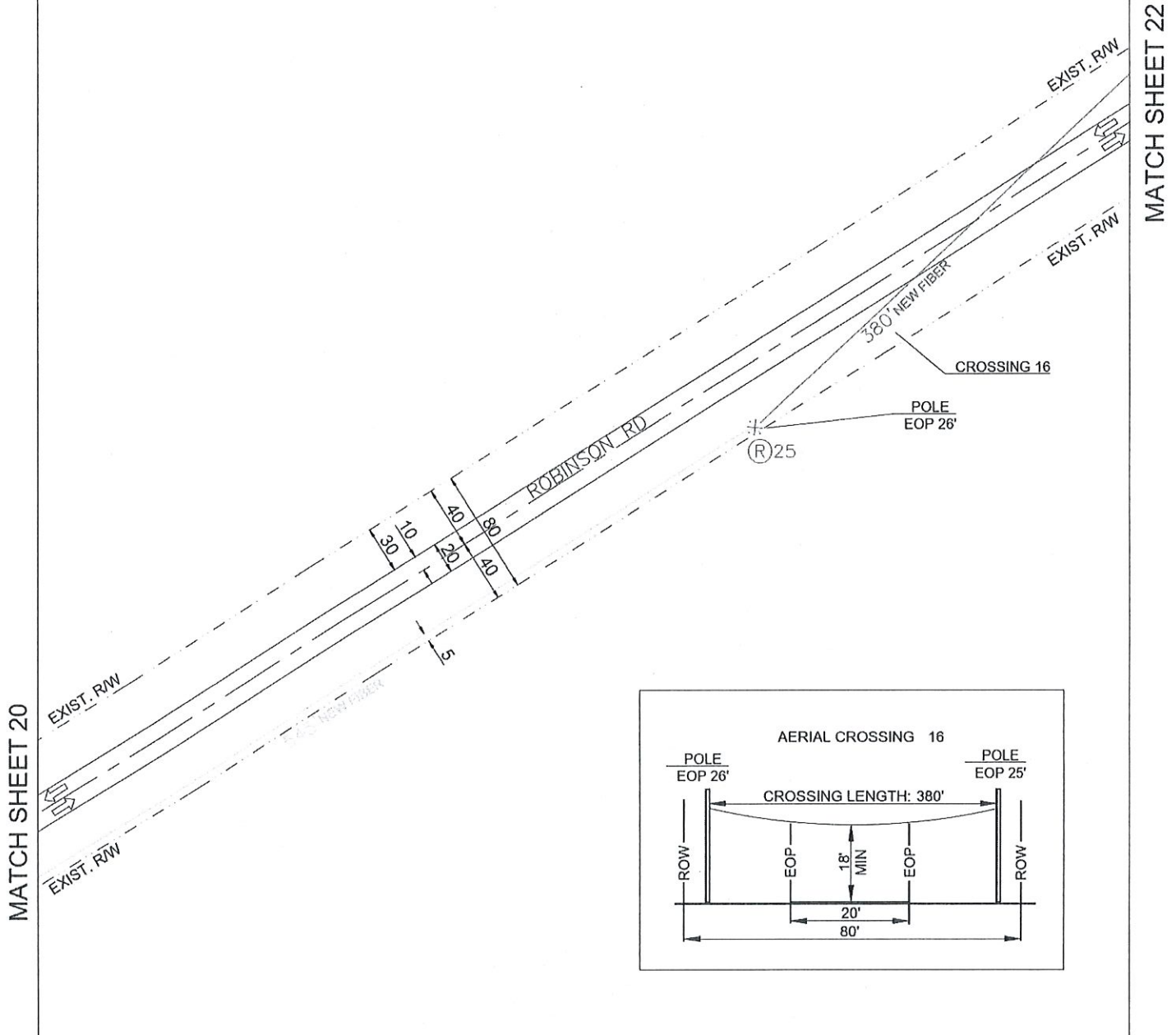
NO MATCH SHEET

PREPARED BY:  	EXISTING POLE PROPOSED PEDESTAL PROPOSED VAULT WATER VALVE FIBER MARKER GAS MARKER MANHOLE SEWER MANHOLE STORM DRAIN	RIGHT OF WAY LINE IRRIGATION LINE WATER LAINE GAS LAINE PROPOSED ANCHOR PROPOSED RISER	PROPOSED COAXIAL CABLE PROPOSED FIBER CABLE PROPOSED DIRECTIONAL BORE EXISTING CABLE		ENGINEERED FOR:  	MADISON COUITY ROBINSON RD TRANSPORT FIBER
	LEGEND: RW - RIGHT OF WAY EOP - EDGE OF PAVEMENT DW - DRIVEWAY PDW - PAVED DRIVEWAY	NOTES: BORE HOLE TO BE FILLED SAME DAY VAULT HOLE TO BE FILLED SAME DAY ALL HOLE TO BE TAMPED AND SOODED	NO SCALE SHEET 20 OF 34			

NO MATCH SHEET

PROPOSED COMCAST NEW ATTACHMENT  
 18' MINIMUM HEIGHT AT ALL POINTS  
 1 24CT FIBER CABLE  
 PROPOSED COMCAST UNDERGROUND  
 DIRECTIONAL BORE  
 4' MINIMUM DEPTH AT ALL POINTS  
 1 24CT FIBER CABLE  
 NO OTHER BURIED UTILITIES EXIST

INSTALLATION LENGTH IN RW ON THIS SHEET 925 FT

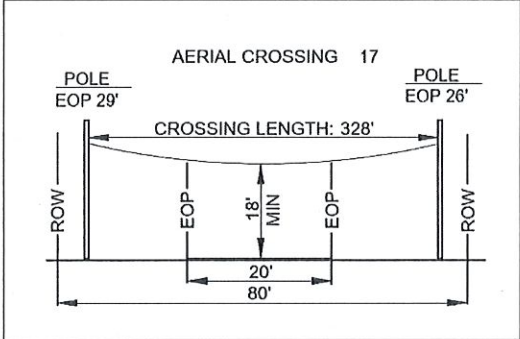
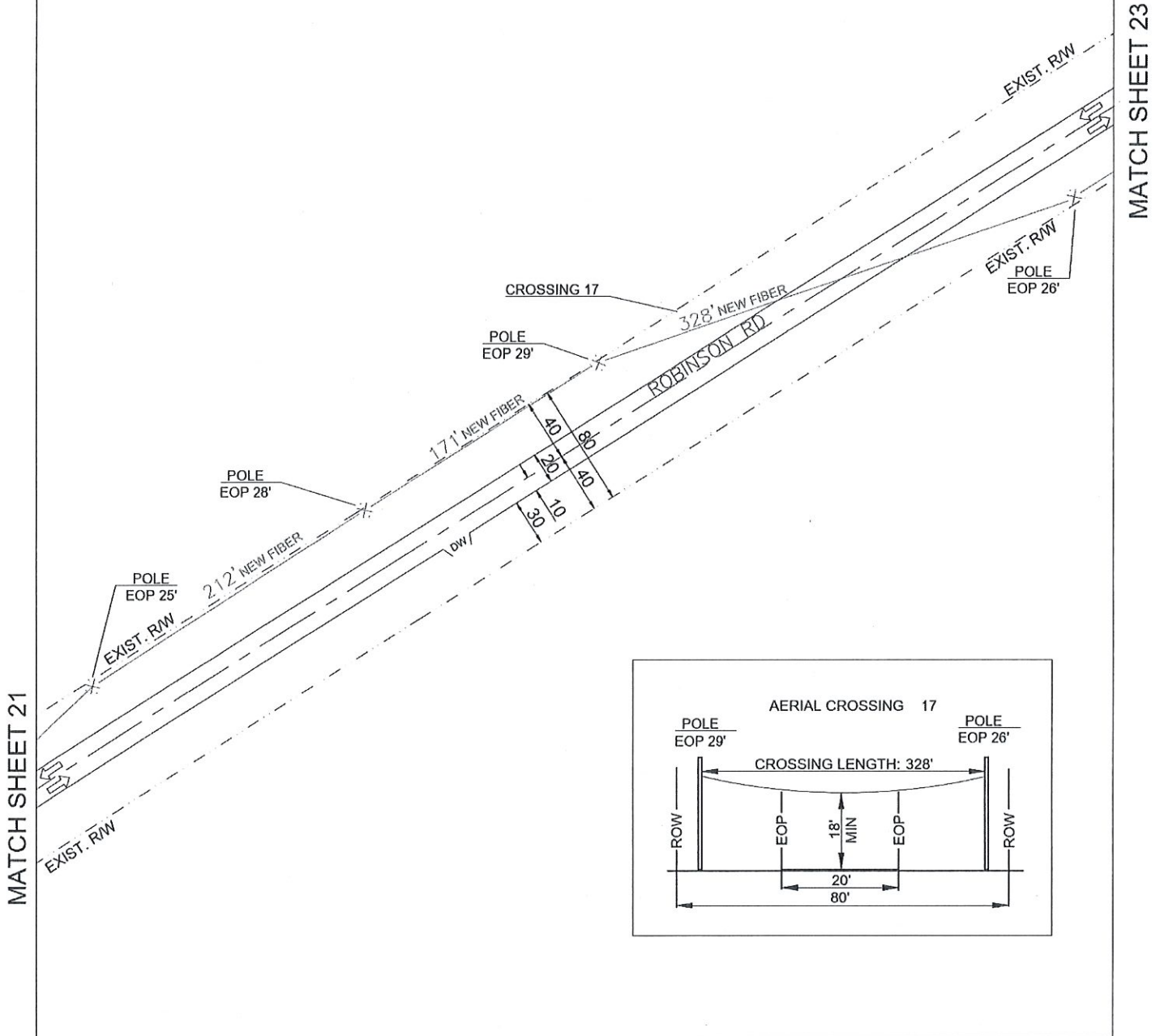


NO MATCH SHEET

PREPARED BY:  	EXISTING POLE PROPOSED PEDESTAL PROPOSED VAULT WATER VALVE FIBER MARKER GAS MARKER MANHOLE SEWER MANHOLE STORM DRAIN	RIGHT OF WAY LINE IRRIGATION LINE WATER LANE GAS LANE PROPOSED ANCHOR PROPOSED RISER	PROPOSED COAXIAL CABLE PROPOSED FIBER CABLE PROPOSED DIRECTIONAL BORE EXISTING CABLE		ENGINEERED FOR: MADISON COUNTY ROBINSON RD TRANSPORT FIBER		NO SCALE SHEET 21 OF 34
	LEGEND: RW - RIGHT OF WAY EOP - EDGE OF PAVEMENT DW - DRIVEWAY PDW - PAVED DRIVEWAY	NOTES: BORE HOLE TO BE FILLED SAME DAY VAULT HOLE TO BE FILLED SAME DAY ALL HOLE TO BE TAMPED AND SODDED					

NO MATCH SHEET

PROPOSED COMCAST NEW ATTACHMENT  
 18' MINIMUM HEIGHT AT ALL POINTS  
 1 24CT FIBER CABLE  
 INSTALLATION LENGTH IN RW ON THIS SHEET 711 FT



NO MATCH SHEET

PREPARED BY:  	EXISTING POLE PROPOSED PEDESTAL PROPOSED VAULT WATER VALVE FIBER MARKER GAS MARKER MANHOLE SEWER MANHOLE STORM DRAIN	RIGHT OF WAY LINE IRRIGATION LINE WATER LANE GAS LANE PROPOSED ANCHOR PROPOSED RISER	PROPOSED COAXIAL CABLE PROPOSED FIBER CABLE PROPOSED DIRECTIONAL BORE EXISTING CABLE		ENGINEERED FOR:  	MADISON COUNTY  ROBINSON RD  TRANSPORT FIBER
	LEGEND: RW - RIGHT OF WAY EOP - EDGE OF PAVEMENT DW - DRIVEWAY PDW - PAVED DRIVEWAY	NOTES: BORE HOLE TO BE FILLED SAME DAY VAULT HOLE TO BE FILLED SAME DAY ALL HOLE TO BE TAMPED AND SODDED	NO SCALE SHEET 22 OF 34			

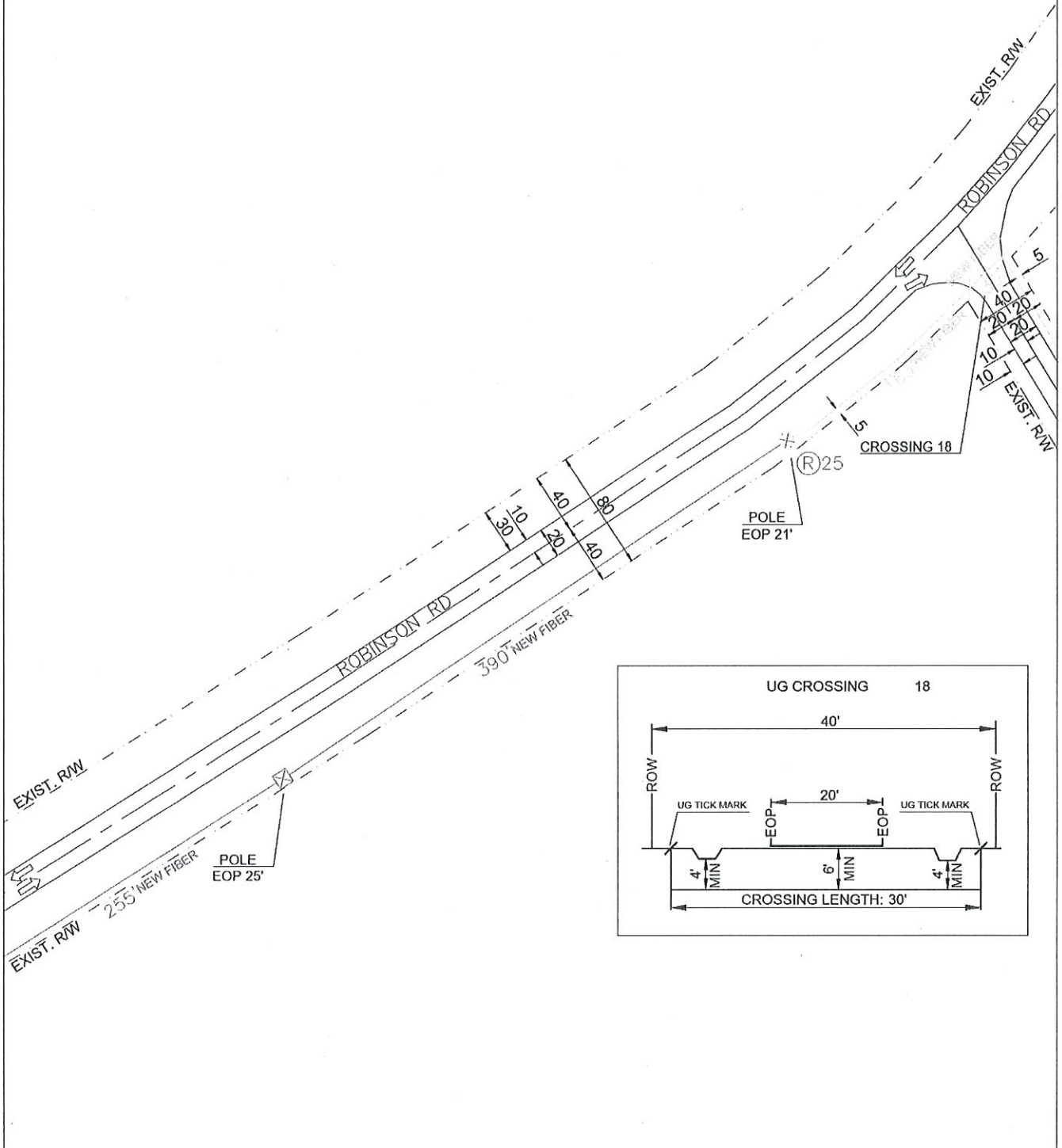


NO MATCH SHEET

PROPOSED COMCAST NEW ATTACHMENT  
 18' MINIMUM HEIGHT AT ALL POINTS  
 1 24CT FIBER CABLE  
 PROPOSED COMCAST UNDERGROUND  
 DIRECTIONAL BORE  
 4' MINIMUM DEPTH AT ALL POINTS  
 1 24CT FIBER CABLE  
 NO OTHER BURIED UTILITIES EXIST  
 INSTALLATION LENGHT IN RW ON THIS SHEET 838 FT

MATCH SHEET 22

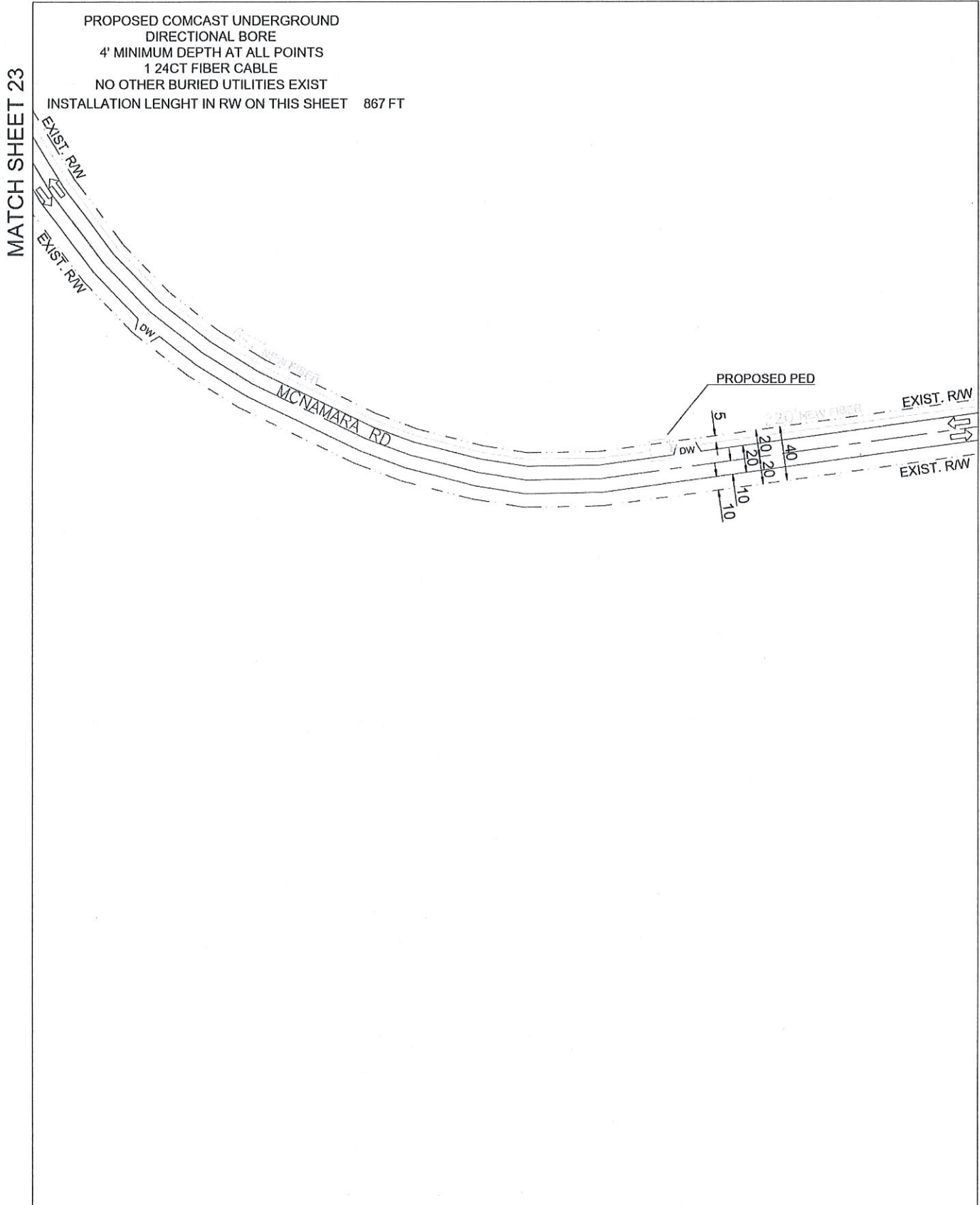
MATCH SHEET 24



NO MATCH SHEET

PREPARED BY:  	EXISTING POLE PROPOSED PEDESTAL PROPOSED VAULT WATER VALVE FIBER MARKER GAS MARKER MANHOLE SEWER MAINHOLE STORM DRAIN	RIGHT OF WAY LINE IRRIGATION LINE WATER LANE GAS LANE PROPOSED ANCHOR PROPOSED RISER	PROPOSED COAXIAL CABLE PROPOSED FIBER CABLE PROPOSED DIRECTIONAL BORE EXISTING CABLE		ENGINEERED FOR:  	MADISON COUITY ROBINSON RD TRANSPORT FIBER
	LEGEND: RW - RIGHT OF WAY EOP - EDGE OF PAVEMENT DW - DRIVEWAY PDW - PAVED DRIVEWAY	NOTES: BORE HOLE TO BE FILLED SAME DAY VAULT HOLE TO BE FILLED SAME DAY ALL HOLE TO BE TAMPED AND SODDED	NO SCALE SHEET 23 OF 34			

NO MATCH SHEET



NO MATCH SHEET

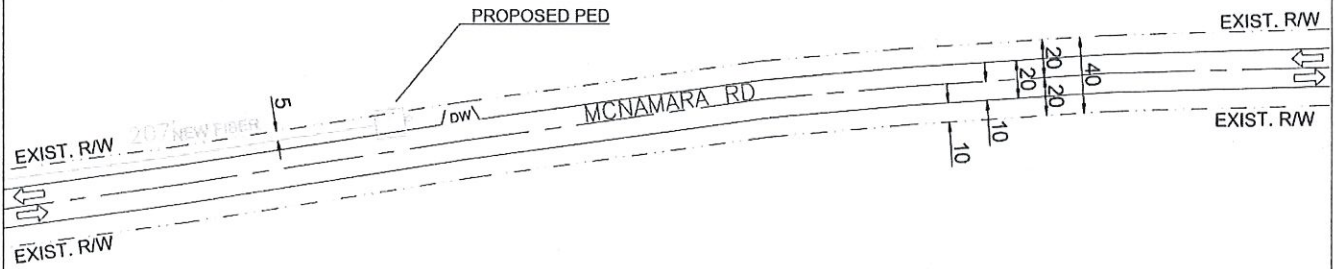
PREPARED BY:  	EXISTING POLE PROPOSED PEDESTAL PROPOSED VAULT WATER VALVE FIBER MARKER GAS MARKER MANHOLE SEWER MANHOLE STORM DRAIN	RIGHT OF WAY LINE IRRIGATION LINE WATER LANE GAS LANE PROPOSED ANCHOR PROPOSED RISER  <b>LEGEND:</b> RW - RIGHT OF WAY EOP - EDGE OF PAVEMENT DW - DRIVEWAY PDW - PAVED DRIVEWAY	PROPOSED COAXIAL CABLE PROPOSED FIBER CABLE PROPOSED DIRECTIONAL BORE EXISTING CABLE		ENGINEERED FOR:  	MADISON COUNTY  MCNAMARA RD  TRANSPORT FIBER
	<b>NOTES:</b> BORE HOLE TO BE FILLED SAME DAY VAULT HOLE TO BE FILLED SAME DAY ALL HOLE TO BE TAMPED AND SODDED		NO SCALE SHEET 24 OF 34			

NO MATCH SHEET

PROPOSED COMCAST UNDERGROUND  
 DIRECTIONAL BORE  
 4' MINIMUM DEPTH AT ALL POINTS  
 1 24CT FIBER CABLE  
 NO OTHER BURIED UTILITIES EXIST  
 INSTALLATION LENGHT IN RW ON THIS SHEET 207 FT

MATCH SHEET 24

NO MATCH SHEET



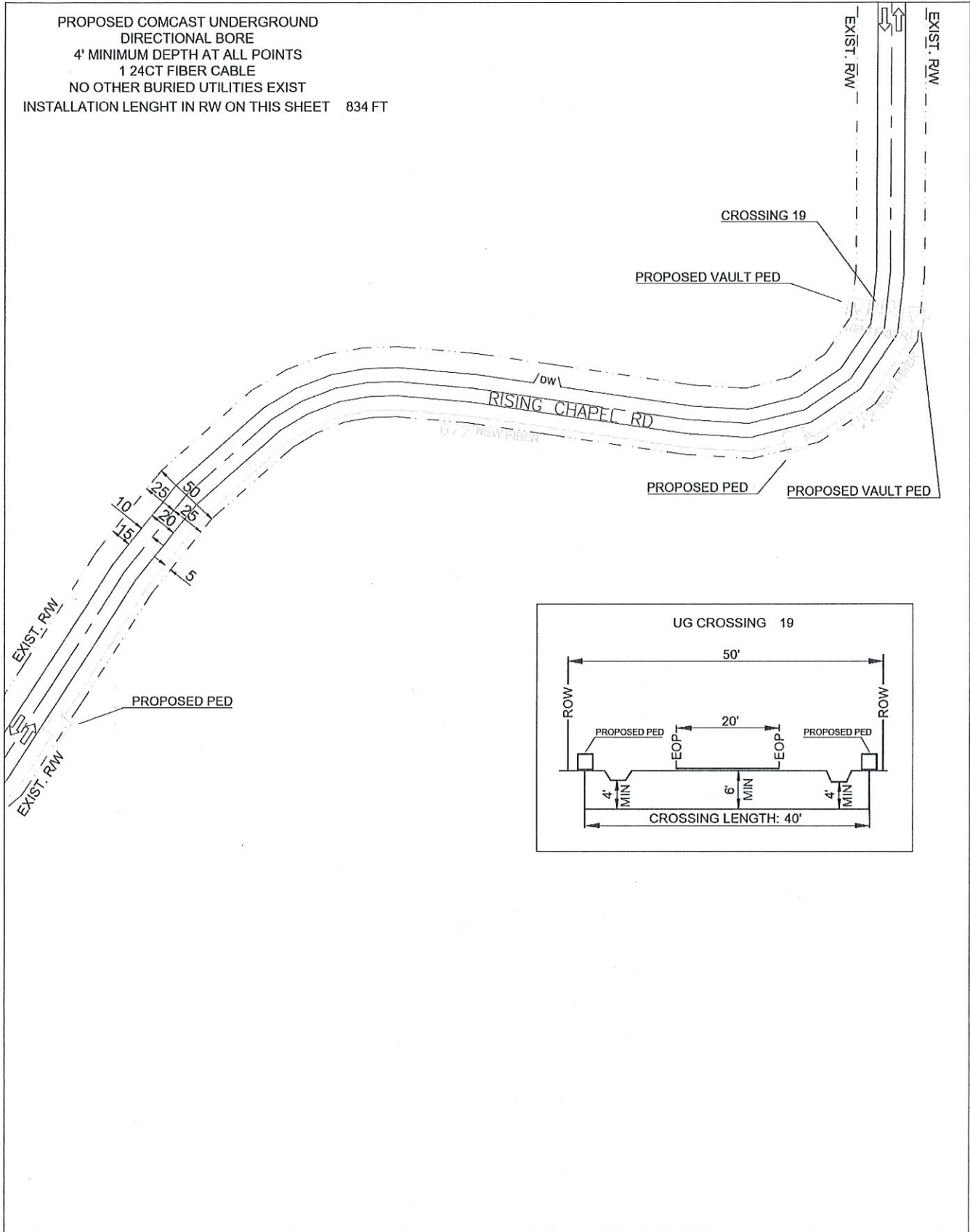
NO MATCH SHEET

PREPARED BY:  	EXISTING POLE PROPOSED PEDESTAL PROPOSED VAULT WATER VALVE FIBER MARKER GAS MARKER MANHOLE SEWER MANHOLE STORM DRAIN	RIGHT OF WAY LINE IRRIGATION LINE WATER LANE GAS LANE PROPOSED ANCHOR PROPOSED RISER	PROPOSED COAXIAL CABLE PROPOSED FIBER CABLE PROPOSED DIRECTIONAL BORE EXISTING CABLE		ENGINEERED FOR:  	MADISON COUNTY  MCNAMARA RD TRANSPORT FIBER
	LEGEND: RW - RIGHT OF WAY EOP - EDGE OF PAVEMENT DW - DRIVEWAY PDW - PAVED DRIVEWAY	NOTES: BORE HOLE TO BE FILLED SAME DAY VAULT HOLE TO BE FILLED SAME DAY ALL HOLE TO BE TAMPED AND SODDED	NO SCALE SHEET 25 OF 34			



PROPOSED COMCAST UNDERGROUND  
 DIRECTIONAL BORE  
 4' MINIMUM DEPTH AT ALL POINTS  
 1 24CT FIBER CABLE  
 NO OTHER BURIED UTILITIES EXIST  
 INSTALLATION LENGTH IN RW ON THIS SHEET 834 FT

MATCH SHEET 27

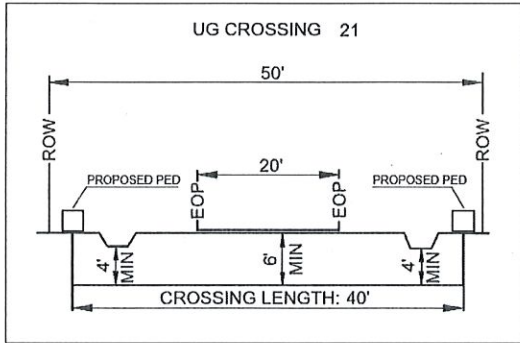
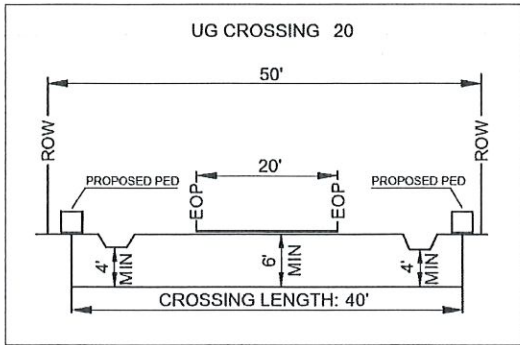


NO MATCH SHEET

NO MATCH SHEET

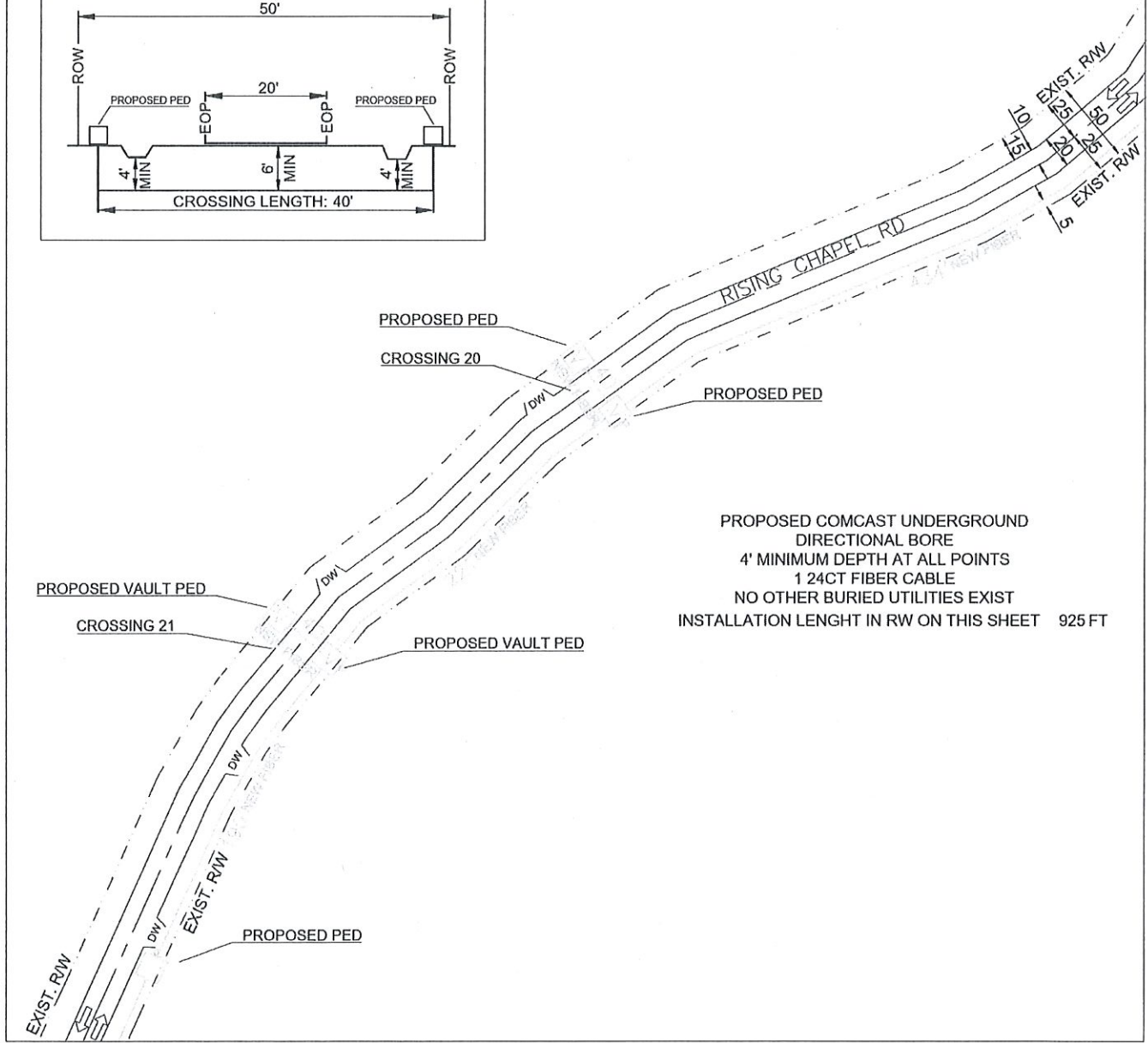
PREPARED BY:  	EXISTING POLE PROPOSED PEDESTAL PROPOSED VAULT WATER VALVE FIBER MARKER GAS MARKER MANHOLE SEWER MANHOLE STORM DRAIN	RIGHT OF WAY LINE IRRIGATION LINE WATER LAINE GAS LAINE PROPOSED ANCHOR PROPOSED RISER	PROPOSED COAXIAL CABLE PROPOSED FIBER CABLE PROPOSED DIRECTIONAL BORE EXISTING CABLE		ENGINEERED FOR:  	MADISON COUNTY RISING CHAPEL RD TRANSPORT FIBER
	LEGEND: RW - RIGHT OF WAY EOP - EDGE OF PAVEMENT DW - DRIVEWAY PDW - PAVED DRIVEWAY	NOTES: BORE HOLE TO BE FILLED SAME DAY VAULT HOLE TO BE FILLED SAME DAY ALL HOLE TO BE TAMPED AND SODDED	NO SCALE SHEET 26 OF 34			

NO MATCH SHEET



NO MATCH SHEET

MATCH SHEET 26



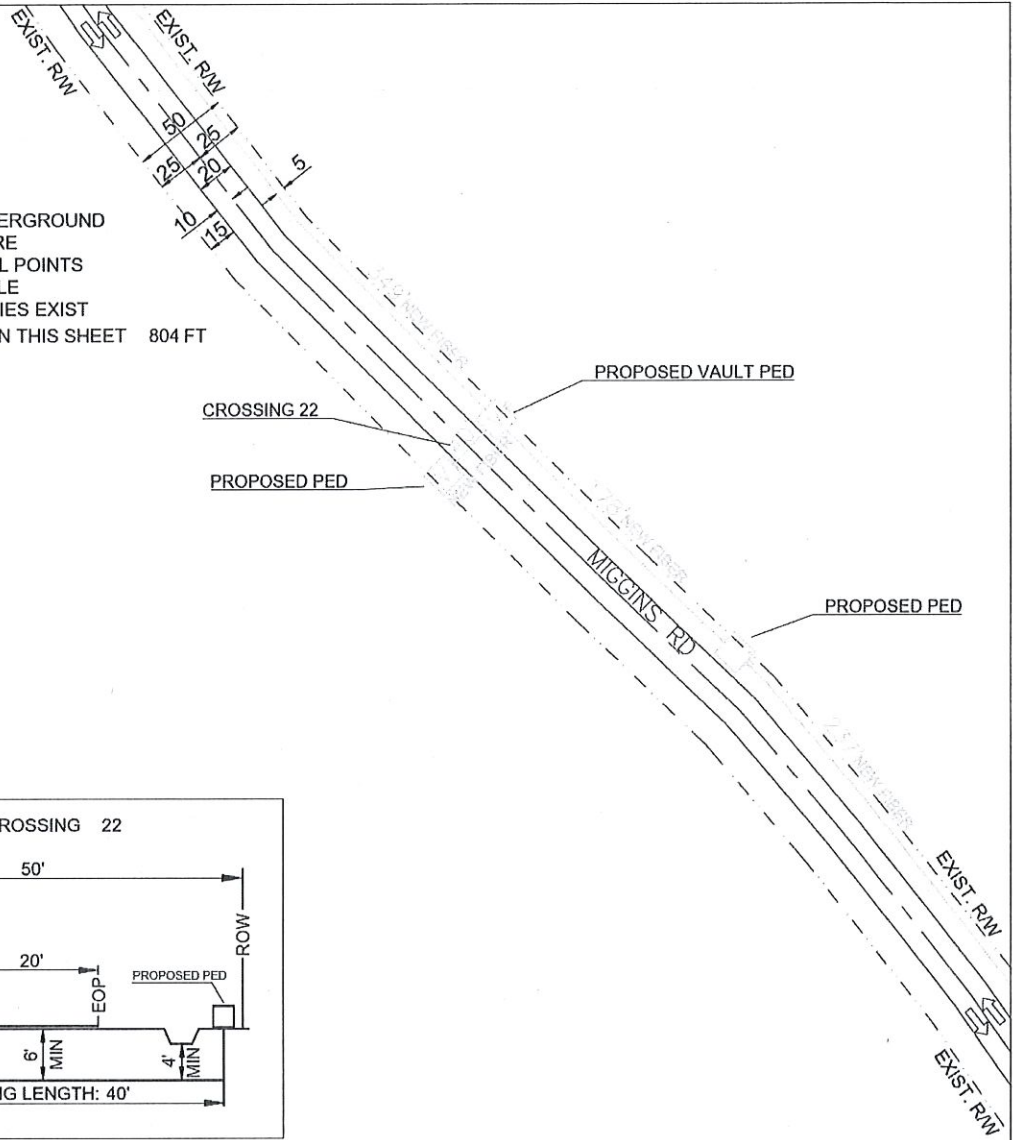
PROPOSED COMCAST UNDERGROUND  
 DIRECTIONAL BORE  
 4' MINIMUM DEPTH AT ALL POINTS  
 1 24CT FIBER CABLE  
 NO OTHER BURIED UTILITIES EXIST  
 INSTALLATION LENGTH IN RW ON THIS SHEET 925 FT

MATCH SHEET 29

PREPARED BY:  	EXISTING POLE PROPOSED PEDESTAL PROPOSED VAULT WATER VALVE FIBER MARKER GAS MARKER MANHOLE SEWER MANHOLE STORM DRAIN	RIGHT OF WAY LINE IRRIGATION LINE WATER LAINE GAS LAINE PROPOSED ANCHOR PROPOSED RISER	PROPOSED COAXIAL CABLE PROPOSED FIBER CABLE PROPOSED DIRECTIONAL BORE EXISTING CABLE		ENGINEERED FOR:  	MADISON COUNTY  RISING CHAPEL RD  TRANSPORT FIBER
	LEGEND: RW - RIGHT OF WAY EOP - EDGE OF PAVEMENT DW - DRIVEWAY PDW - PAVED DRIVEWAY	NOTES: BORE HOLE TO BE FILLED SAME DAY VAULT HOLE TO BE FILLED SAME DAY ALL HOLE TO BE TAMPED AND SOGDED	NO SCALE SHEET 27 OF 34			

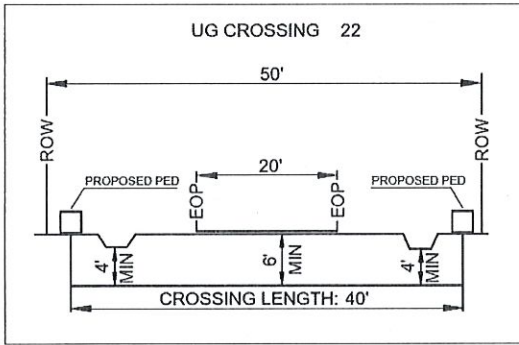
MATCH SHEET 13

PROPOSED COMCAST UNDERGROUND  
 DIRECTIONAL BORE  
 4' MINIMUM DEPTH AT ALL POINTS  
 1 48CT FIBER CABLE  
 NO OTHER BURIED UTILITIES EXIST  
 INSTALLATION LENGTH IN RW ON THIS SHEET 804 FT



NO MATCH SHEET

MATCH SHEET 29



NO MATCH SHEET

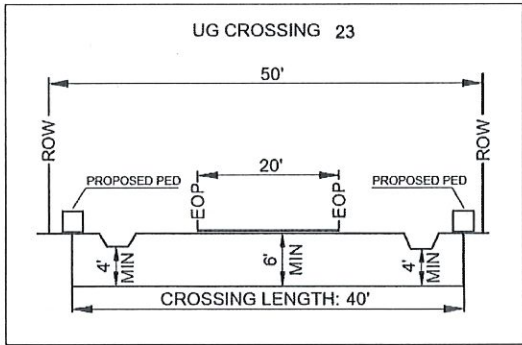
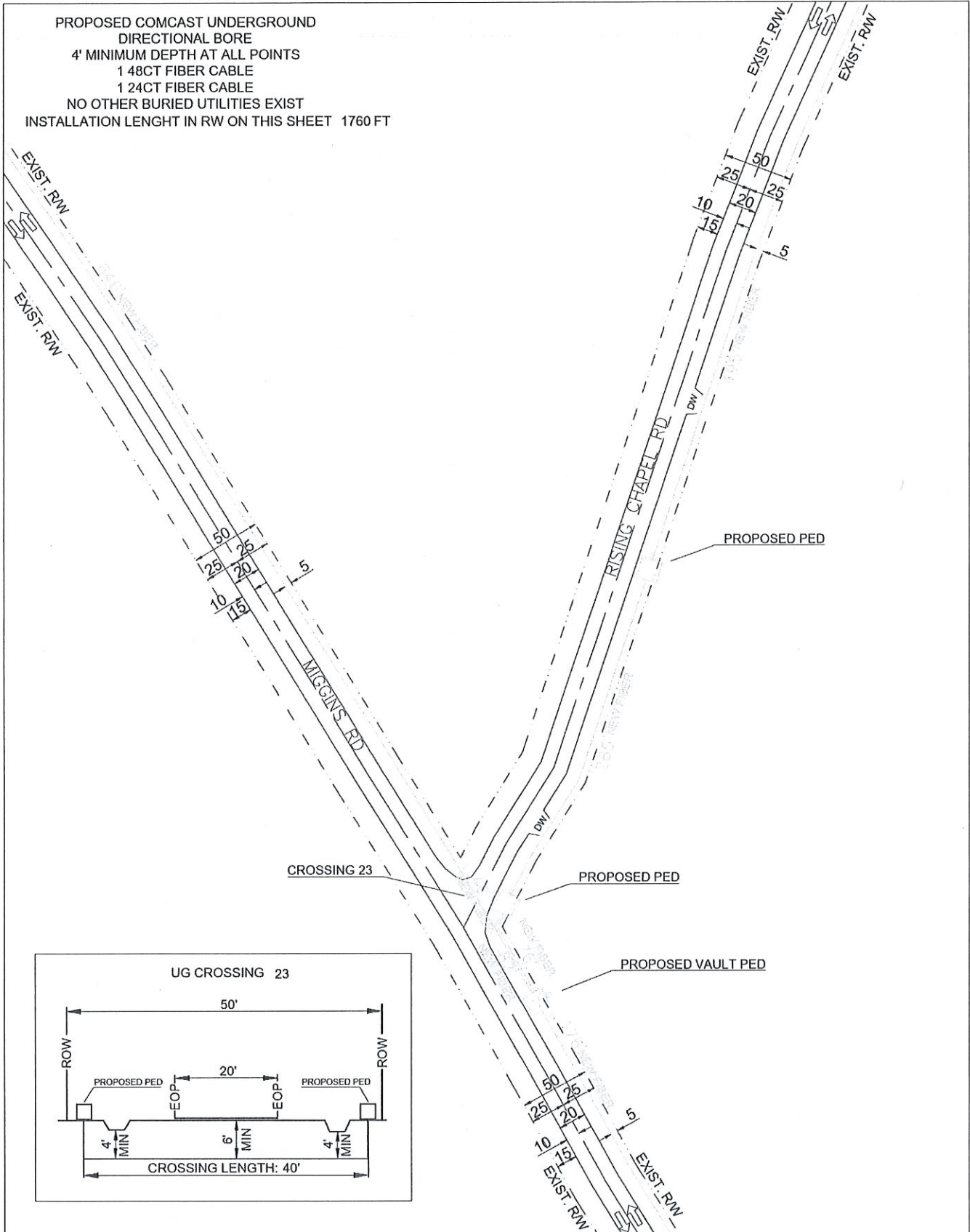
PREPARED BY:  	EXISTING POLE PROPOSED PEDESTAL PROPOSED VAULT WATER VALVE FIBER MARKER GAS MARKER MANHOLE SEWER MAINHOLE STORM DRAIN	RIGHT OF WAY LINE IRRIGATION LINE WATER LAINE GAS LAINE PROPOSED ANCHOR PROPOSED RISER	PROPOSED COAXIAL CABLE PROPOSED FIBER CABLE PROPOSED DIRECTIONAL BORE EXISTING CABLE		ENGINEERED FOR:  	MADISON COUITY  MIGGINS RD  TRAIUSPORT FIBER
	LEGEND: RW - RIGHT OF WAY EOP - EDGE OF PAVEMENT DW - DRIVEWAY PDW - PAVED DRIVEWAY	NOTES: BORE HOLE TO BE FILLED SAME DAY VAULT HOLE TO BE FILLED SAME DAY ALL HOLE TO BE TAMPED AND SODDED	NO SCALE SHEET 28 OF 34			



MATCH SHEET 28

PROPOSED COMCAST UNDERGROUND  
 DIRECTIONAL BORE  
 4' MINIMUM DEPTH AT ALL POINTS  
 1 48CT FIBER CABLE  
 1 24CT FIBER CABLE  
 NO OTHER BURIED UTILITIES EXIST  
 INSTALLATION LENGTH IN RW ON THIS SHEET 1760 FT

NO MATCH SHEET

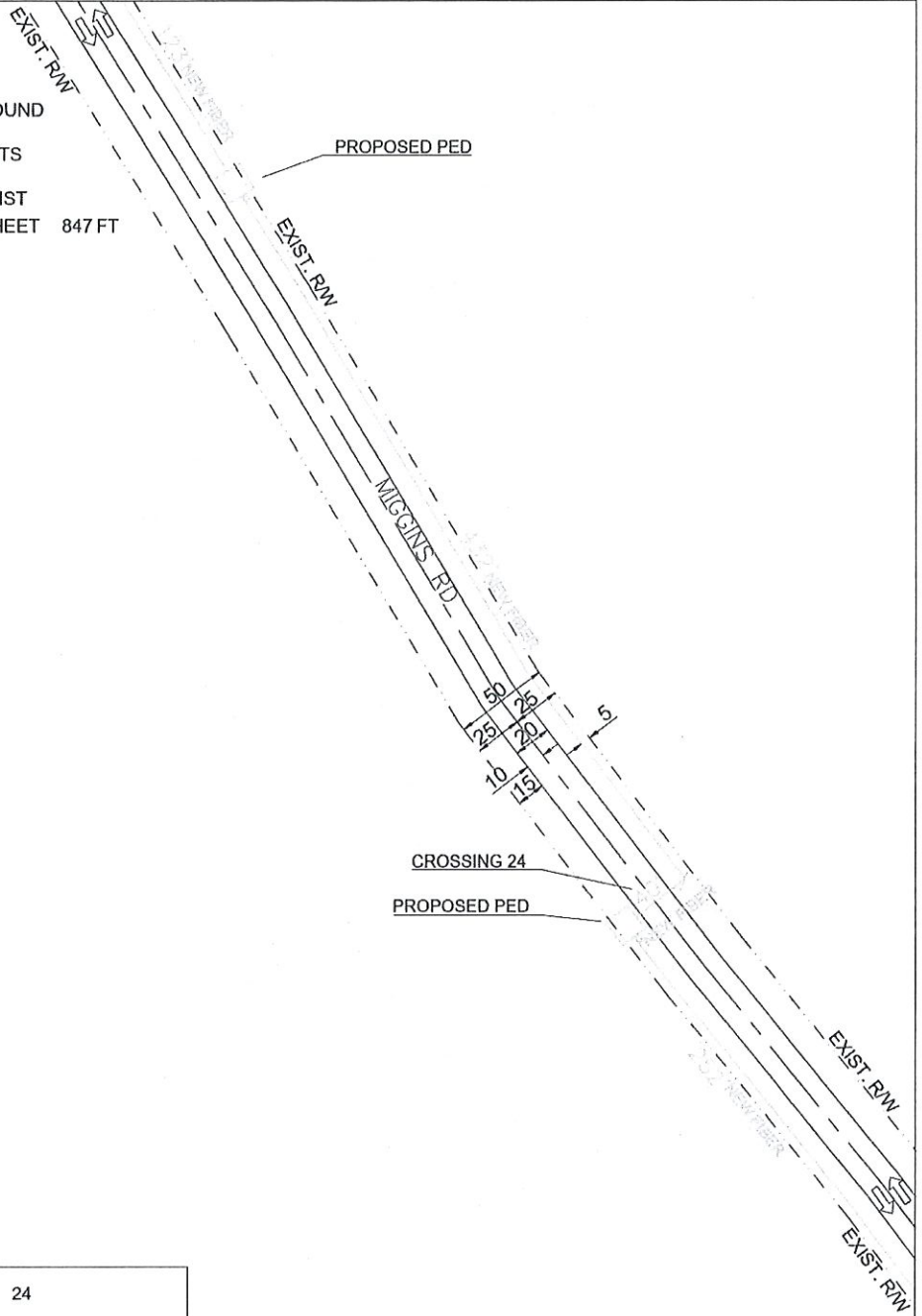


MATCH SHEET 30

PREPARED BY:  	EXISTING POLE PROPOSED PEDESTAL PROPOSED VAULT WATER VALVE FIBER MARKER GAS MARKER MANHOLE SEWER MANHOLE STORM DRAIN	RIGHT OF WAY LINE IRRIGATION LINE WATER LAINE GAS LAINE PROPOSED ANCHOR PROPOSED RISER	PROPOSED COAXIAL CABLE PROPOSED FIBER CABLE PROPOSED DIRECTIONAL BORE EXISTING CABLE		ENGINEERED FOR:  	MADISON COUNTY  MIGGINS RD, RISING CHAPEL RD TRANSPORT FIBER
	LEGEND: RW - RIGHT OF WAY EOP - EDGE OF PAVEMENT DW - DRIVEWAY PDW - PAVED DRIVEWAY	NOTES: BORE HOLE TO BE FILLED SAME DAY VAULT HOLE TO BE FILLED SAME DAY ALL HOLE TO BE TAMPED AND SODDED	NO SCALE		SHEET 29 OF 34	

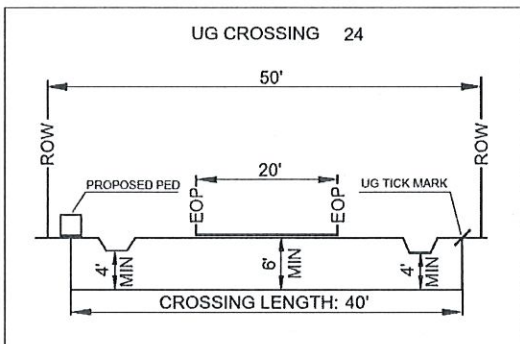
MATCH SHEET 29

PROPOSED COMCAST UNDERGROUND  
 DIRECTIONAL BORE  
 4' MINIMUM DEPTH AT ALL POINTS  
 1 24CT FIBER CABLE  
 NO OTHER BURIED UTILITIES EXIST  
 INSTALLATION LENGTH IN RW ON THIS SHEET 847 FT



NO MATCH SHEET

MATCH SHEET 31



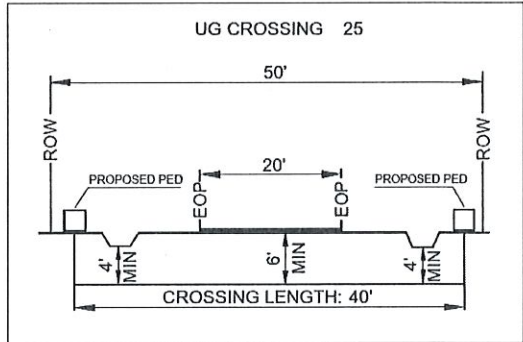
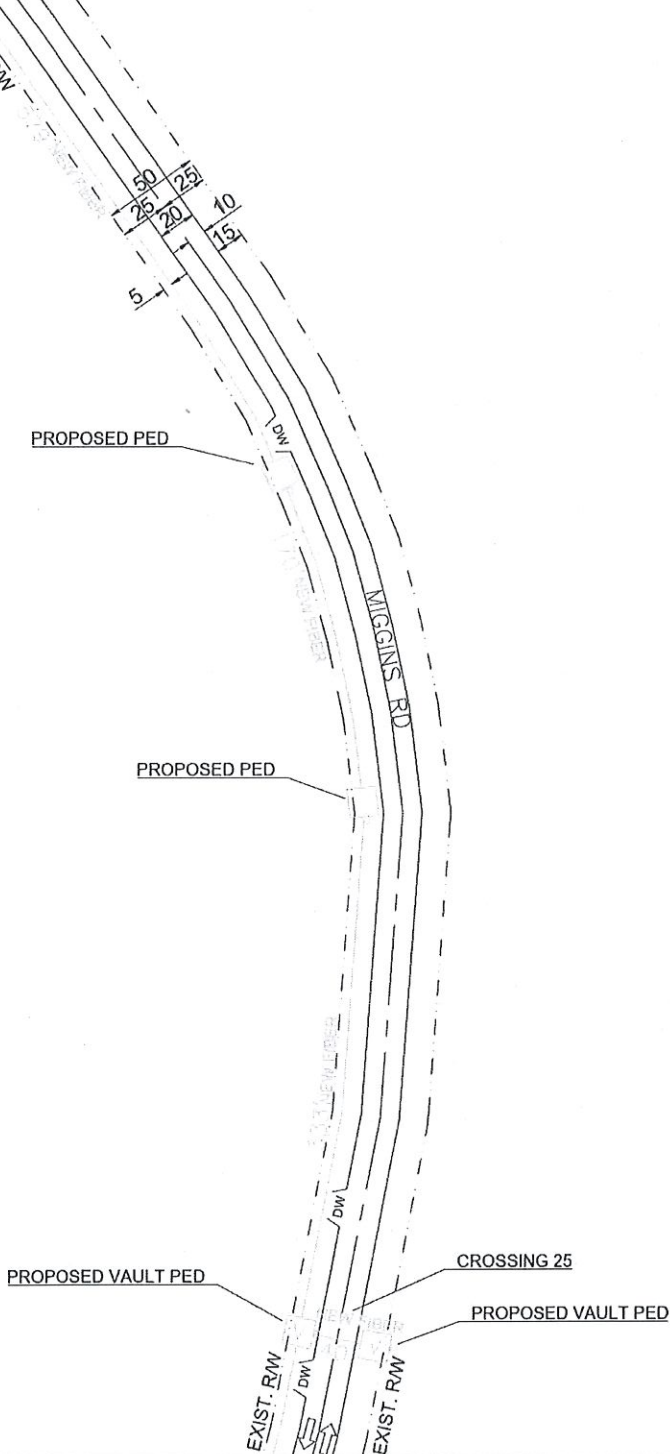
NO MATCH SHEET

PREPARED BY:  	EXISTING POLE PROPOSED PEDESTAL PROPOSED VAULT WATER VALVE FIBER MARKER GAS MARKER MANHOLE SEWER MANHOLE STORM DRAIN	RIGHT OF WAY LINE IRRIGATION LINE WATER LAINE GAS LAINE PROPOSED ANCHOR PROPOSED RISER	PROPOSED COAXIAL CABLE PROPOSED FIBER CABLE PROPOSED DIRECTIONAL BORE EXISTING CABLE		ENGINEERED FOR:  	MADISON COUNTY  MIGGINS RD  TRANSPORT FIBER
	LEGEND: RW - RIGHT OF WAY EOP - EDGE OF PAVEMENT DW - DRIVEWAY PDW - PAVED DRIVEWAY	NOTES: BORE HOLE TO BE FILLED SAME DAY VAULT HOLE TO BE FILLED SAME DAY ALL HOLE TO BE TAMPED AND SODDED	NO SCALE SHEET 33 OF 34			

NO MATCH SHEET

MATCH SHEET 30

PROPOSED COMCAST UNDERGROUND  
 DIRECTIONAL BORE  
 4' MINIMUM DEPTH AT ALL POINTS  
 1 24CT FIBER CABLE  
 NO OTHER BURIED UTILITIES EXIST  
 INSTALLATION LENGTH IN RW ON THIS SHEET 1122 FT



NO MATCH SHEET

MATCH SHEET 32

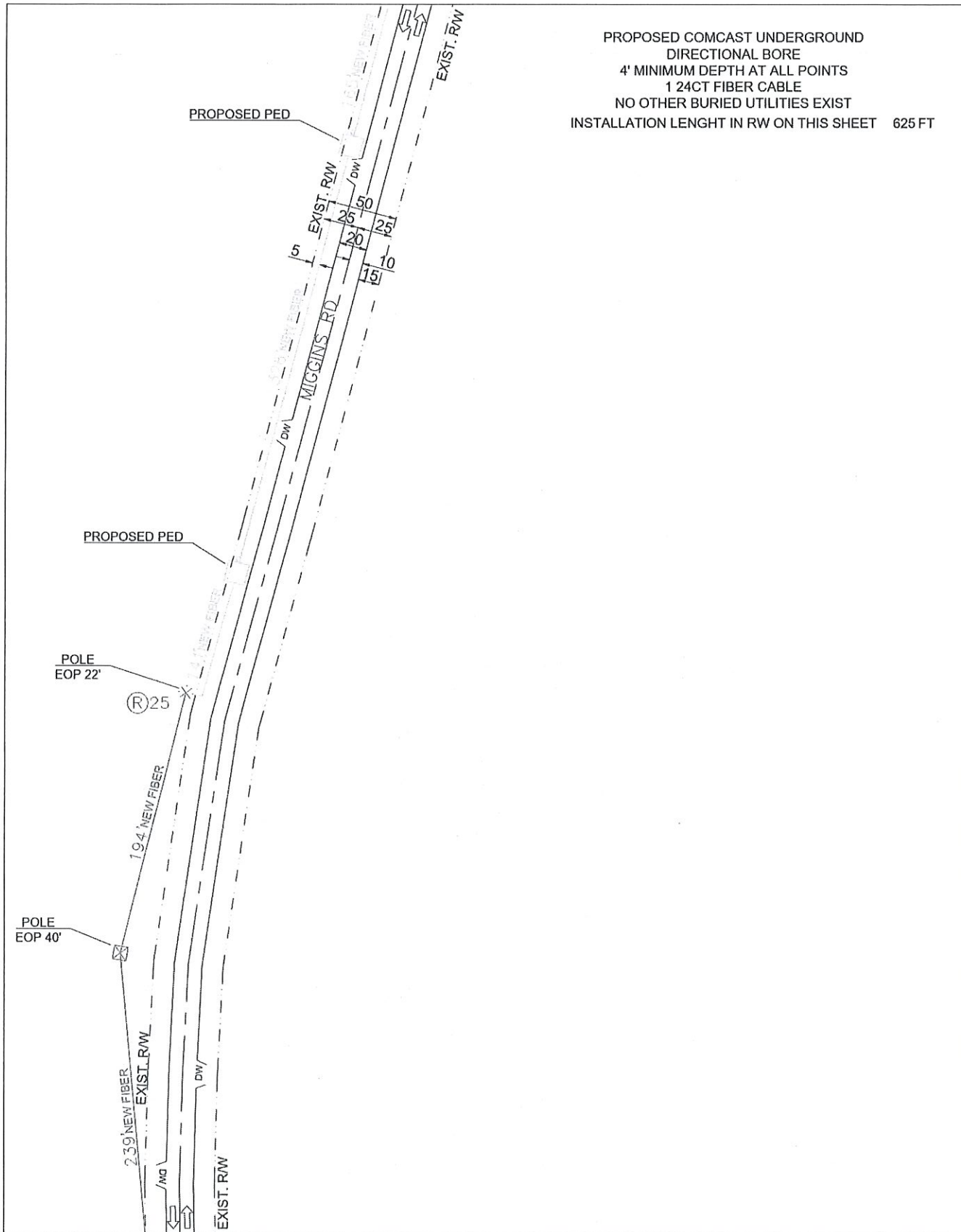
PREPARED BY:  	EXISTING POLE PROPOSED PEDESTAL PROPOSED VAULT WATER VALVE FIBER MARKER GAS MARKER MANHOLE SEWER MAINHOLE STORM DRAIN	RIGHT OF WAY LINE IRRIGATION LINE WATER LAINE GAS LAINE PROPOSED ANCHOR PROPOSED RISER	PROPOSED COAXIAL CABLE PROPOSED FIBER CABLE PROPOSED DIRECTIONAL BORE EXISTING CABLE		ENGINEERED FOR:  	MADISON COUNTY  MIGGINS RD  TRANSPORT FIBER
	LEGEND: RW - RIGHT OF WAY EOP - EDGE OF PAVEMENT DW - DRIVEWAY PDW - PAVED DRIVEWAY	NOTES: BORE HOLE TO BE FILLED SAME DAY VAULT HOLE TO BE FILLED SAME DAY ALL HOLE TO BE TAMPED AND SOGGEED	NO SCALE SHEET 31 OF 34			

MATCH SHEET 31

PROPOSED COMCAST UNDERGROUND  
 DIRECTIONAL BORE  
 4' MINIMUM DEPTH AT ALL POINTS  
 1 24CT FIBER CABLE  
 NO OTHER BURIED UTILITIES EXIST  
 INSTALLATION LENGTH IN RW ON THIS SHEET 625 FT

NO MATCH SHEET

NO MATCH SHEET



MATCH SHEET 33

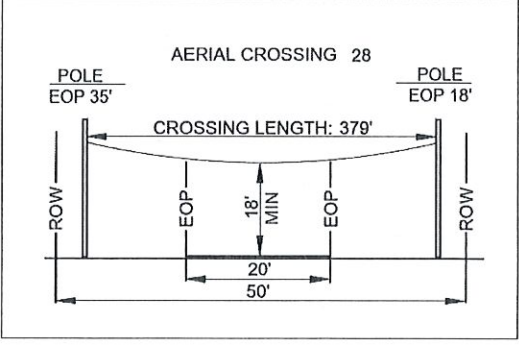
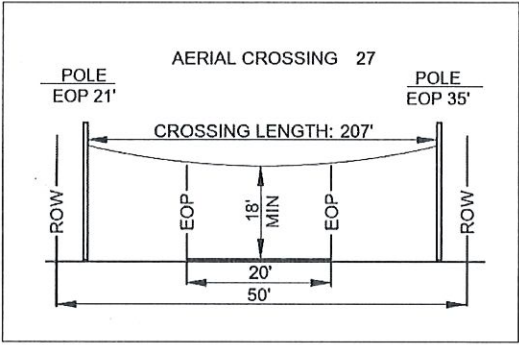
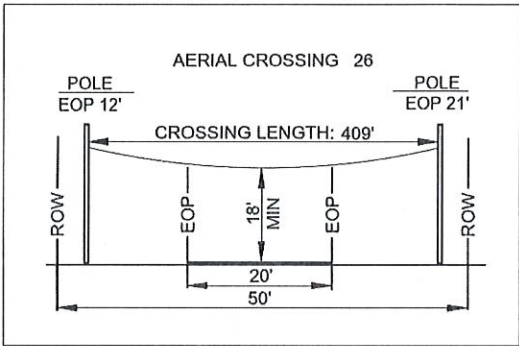
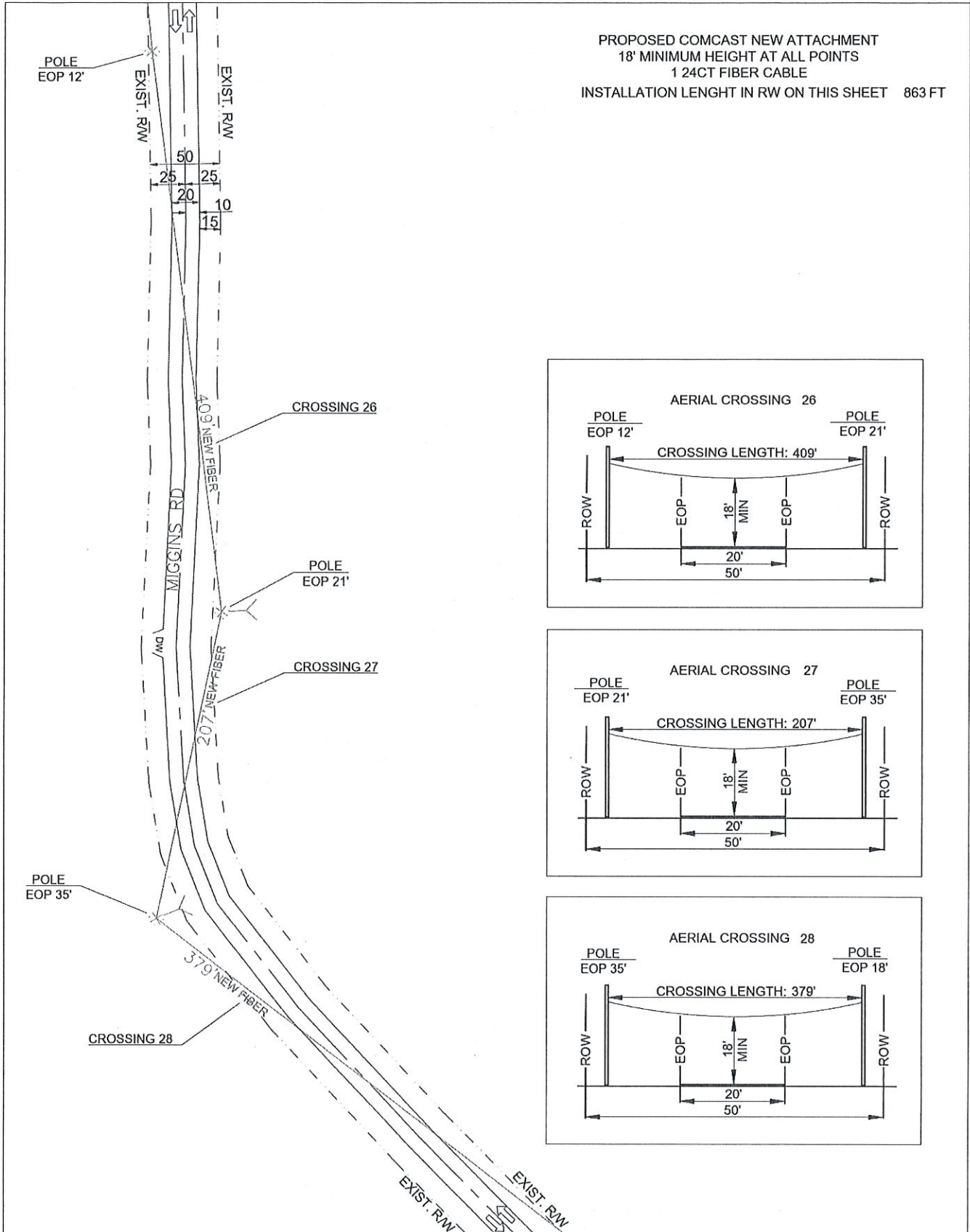
<p>PREPARED BY:</p>	<p>EXISTING POLE                  PROPOSED PEDESTAL                  PROPOSED VAULT                  WATER VALVE                  FIBER MARKER                  GAS MARKER                  MANHOLE                  SEWER MANHOLE                  STORM DRAIN</p>	<p>RIGHT OF WAY LINE                  IRRIGATION LINE                  WATER LAINE                  GAS LAINE                  PROPOSED ANCHOR                  PROPOSED RISER</p>	<p>PROPOSED COAXIAL CABLE                  PROPOSED FIBER CABLE                  PROPOSED DIRECTIONAL BORE                  EXISTING CABLE</p>		<p>ENGINEERED FOR:</p>	<p>MADISON COUNTY                  MIGGINS RD                  TRANSPORT FIBER</p>
<p>QUASAR, INC.</p>	<p>LEGEND:                  RW - RIGHT OF WAY                  EOP - EDGE OF PAVEMENT                  DW - DRIVEWAY                  PDW - PAVED DRIVEWAY</p>	<p>NOTES:                  BORE HOLE TO BE FILLED SAME DAY                  VAULT HOLE TO BE FILLED SAME DAY                  ALL HOLE TO BE TAMPED AND SODDED</p>		<p>NO SCALE</p>	<p>SHEET 32 OF 34</p>	



PROPOSED COMCAST NEW ATTACHMENT  
 18' MINIMUM HEIGHT AT ALL POINTS  
 1 24CT FIBER CABLE  
 INSTALLATION LENGTH IN RW ON THIS SHEET 863 FT

NO MATCH SHEET

NO MATCH SHEET



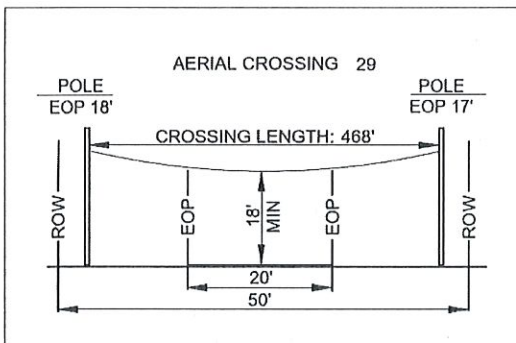
PREPARED BY:  	EXISTING POLE PROPOSED PEDESTAL PROPOSED VAULT WATER VALVE FIBER MARKER GAS MARKER MANHOLE SEWER MANHOLE STORM DRAIN	RIGHT OF WAY LINE IRRIGATION LINE WATER LAINE GAS LAINE PROPOSED ANCHOR PROPOSED RISER LEGEND: RW - RIGHT OF WAY EOP - EDGE OF PAVEMENT DW - DRIVEWAY PDW - PAVED DRIVEWAY	PROPOSED COAXIAL CABLE PROPOSED FIBER CABLE PROPOSED DIRECTIONAL BORE EXISTING CABLE		ENGINEERED FOR:  	MADISON COUNTY  MIGGINS RD  TRAIISPORT FIBER
	NOTES: BORE HOLE TO BE FILLED SAME DAY VAULT HOLE TO BE FILLED SAME DAY ALL HOLE TO BE TAMPED AND SODDED	NO SCALE SHEET 33 OF 34				

MATCH SHEET 33

PROPOSED COMCAST NEW ATTACHMENT  
 18' MINIMUM HEIGHT AT ALL POINTS  
 1 24CT FIBER CABLE  
 INSTALLATION LENGTH IN RW ON THIS SHEET 423 FT  
 TOTAL INSTALLATION LENGTH 22 109 FT  
 AERIAL: 3 782 FT  
 UG: 18 327  
 START: 32.658839, -89.841488  
 END: 32.614834, -89.834893

NO MATCH SHEET

NO MATCH SHEET



NO MATCH SHEET

PREPARED BY:  	EXISTING POLE PROPOSED PEDESTAL PROPOSED VAULT WATER VALVE FIBER MARKER GAS MARKER MANHOLE SEWER MANHOLE STORM DRAIN	RIGHT OF WAY LINE IRRIGATION LINE WATER LANE GAS LANE PROPOSED ANCHOR PROPOSED RISER	PROPOSED COAXIAL CABLE PROPOSED FIBER CABLE PROPOSED DIRECTIONAL BORE EXISTING CABLE		ENGINEERED FOR:  	MADISON COUNTY  MIGGINS RD  TRANSPORT FIBER
	LEGEND: RW - RIGHT OF WAY EOP - EDGE OF PAVEMENT DW - DRIVEWAY PDW - PAVED DRIVEWAY	NOTES: BORE HOLE TO BE FILLED SAME DAY VAULT HOLE TO BE FILLED SAME DAY ALL HOLE TO BE TAMPED AND SOGGED	NO SCALE SHEET 34 OF 34			